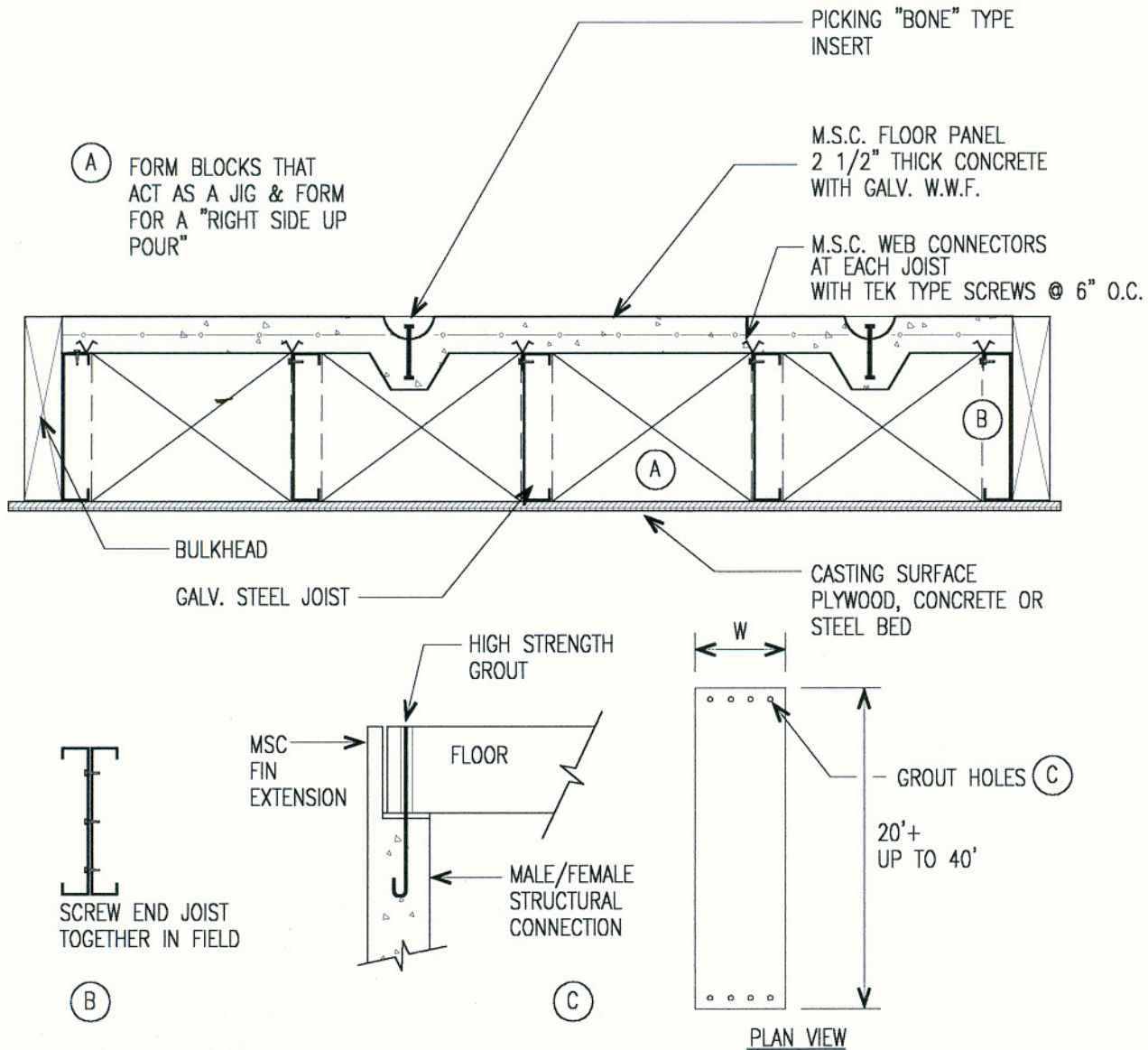


# Metal Stud Crete<sup>®</sup> Composite System



## M.S.C. COMPOSITE FLOOR-ROOF PRE-CAST

1" = 1'-0"

For further details on Metal Stud Crete<sup>®</sup> panels, contact:

**EARL COMPOSITE SYSTEMS**

(800) 796-3275, Fax (626) 796-6194

E-Mail: [metalcrete@earlcorp.com](mailto:metalcrete@earlcorp.com)

Website: [www.metalcrete.com](http://www.metalcrete.com)

