

Metal Stud Crete[®] Composite System

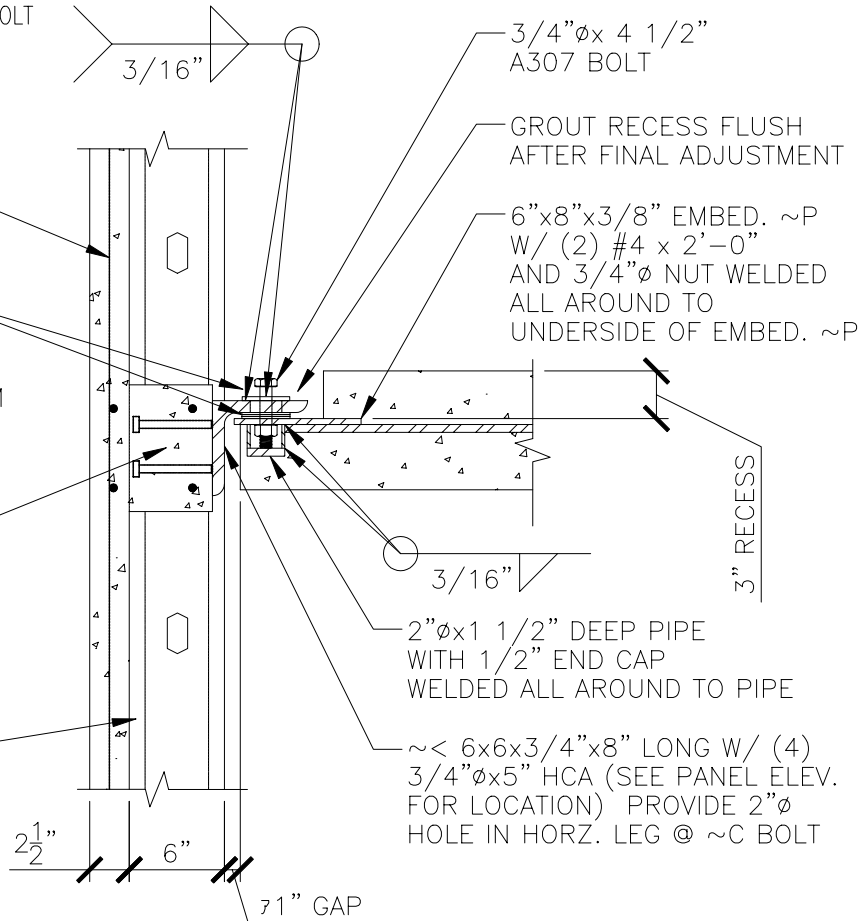
TACK WELD 1/4" PLATE WASHER AND BOLT HEAD. WELD PLATE WASHER TO L6x6 ALL AROUND AFTER FINAL ADJUSTMENT

WWF TYP. ALL PANELS

U SHAPED SHIM
~P'S AS REQUIRED

8"x7 3/4" CONC. BOND BEAM
W/ (4) #5 BARS CONT.
DRILL (2) ACCESS HOLES
IN STUDS TO ALLOW
REBAR TO THREAD THRU

METAL STUD CRETE
WALL PANEL



NOTE:
FLOOR FRAMING
(BY OTHERS) NOT SHOWN.

M.S.C. SPANDREL PANEL TO
FLOOR CONNECTION

For further details on Metal Stud Crete[®] panels, contact:

EARL COMPOSITE SYSTEMS

(800) 796-3275, Fax (626) 796-6194

E-Mail: metalcrete@earlcorp.com

Website: www.metalcrete.com

