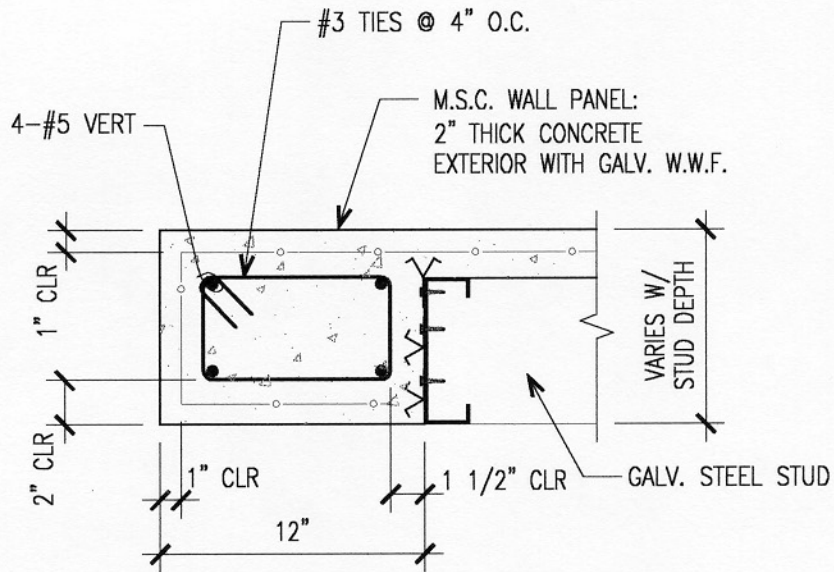


Metal Stud Crete[®] Composite System



MSC PANEL END COLUMN CONDITION

1 1/2" = 1'-0"

For further details on Metal Stud Crete[®] panels, contact:

EARL COMPOSITE SYSTEMS

(800) 796-3275, Fax (626) 796-6194

E-Mail: metalcrete@earlcorp.com

Website: www.metalcrete.com

