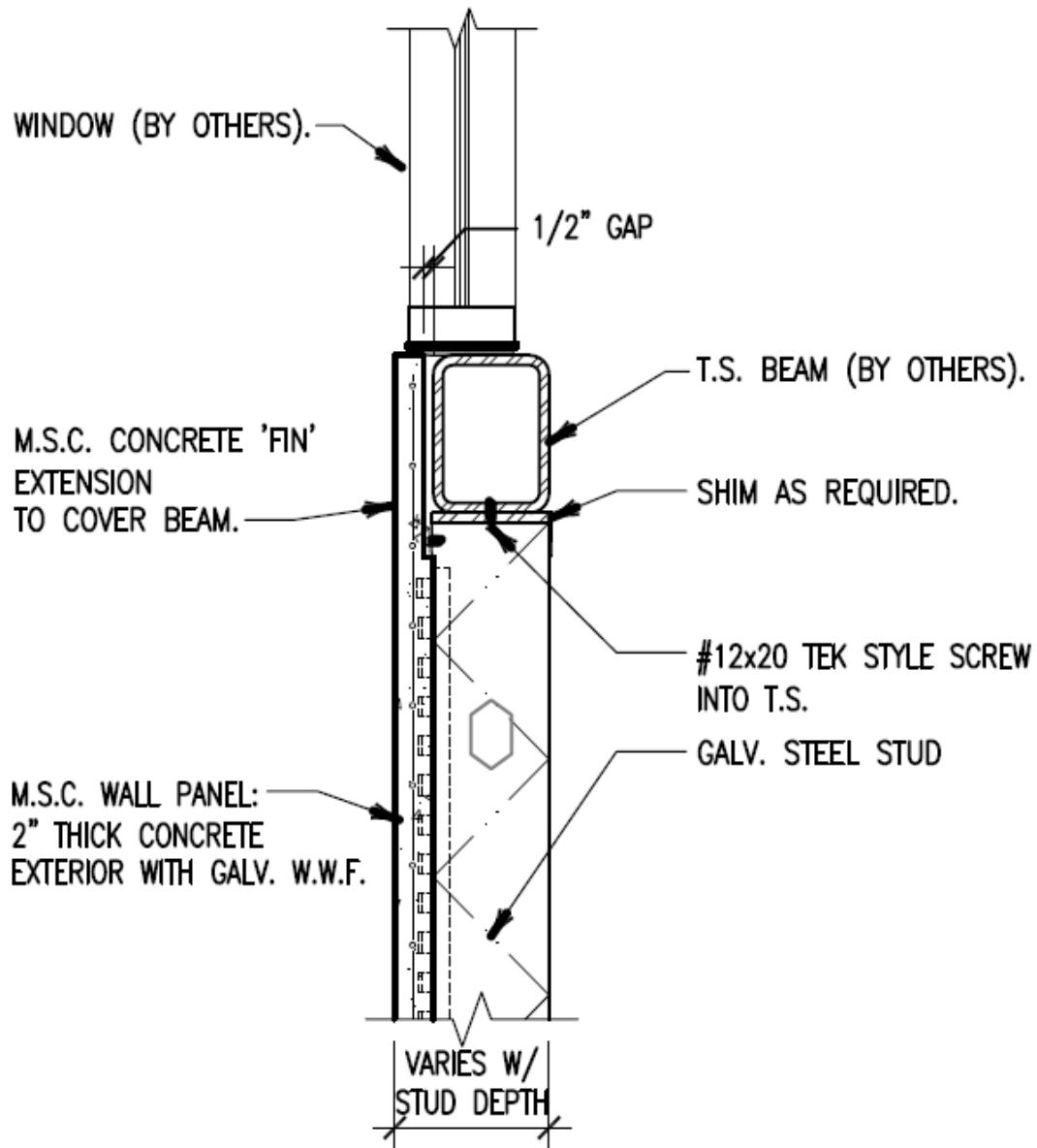


# Metal Stud Crete® Composite System



## M.S.C. WALL TO T.S. BEAM WITH WINDOW (SILL) DETAIL – SECTION

1" = 1' - 0"

For further details on Metal Stud Crete® contact  
 Composite Building Systems Inc.  
 E-mail: [info@metalcrete.com](mailto:info@metalcrete.com)  
 Website: [www.metalcrete.com](http://www.metalcrete.com)  
 Phone: (818) 606-4703