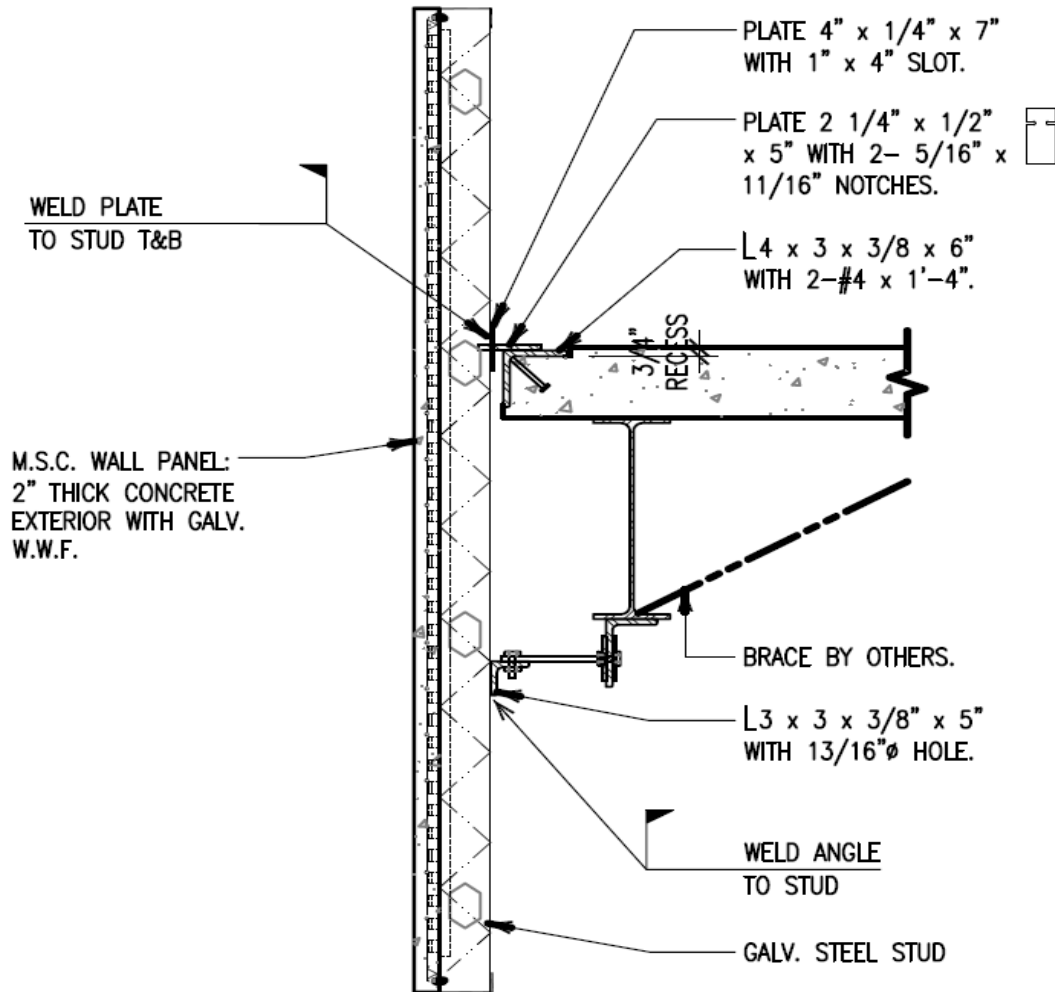


Metal Stud Crete® Composite System



MSC PANEL @ SPANDREL MID SPAN CONNECTION

$$\frac{3}{4}'' = 1'' - 0''$$

For further details on Metal Stud Crete® contact
Composite Building Systems Inc.
E-mail: info@metalcrete.com
Website: www.metalcrete.com
Phone: (818) 606-4703