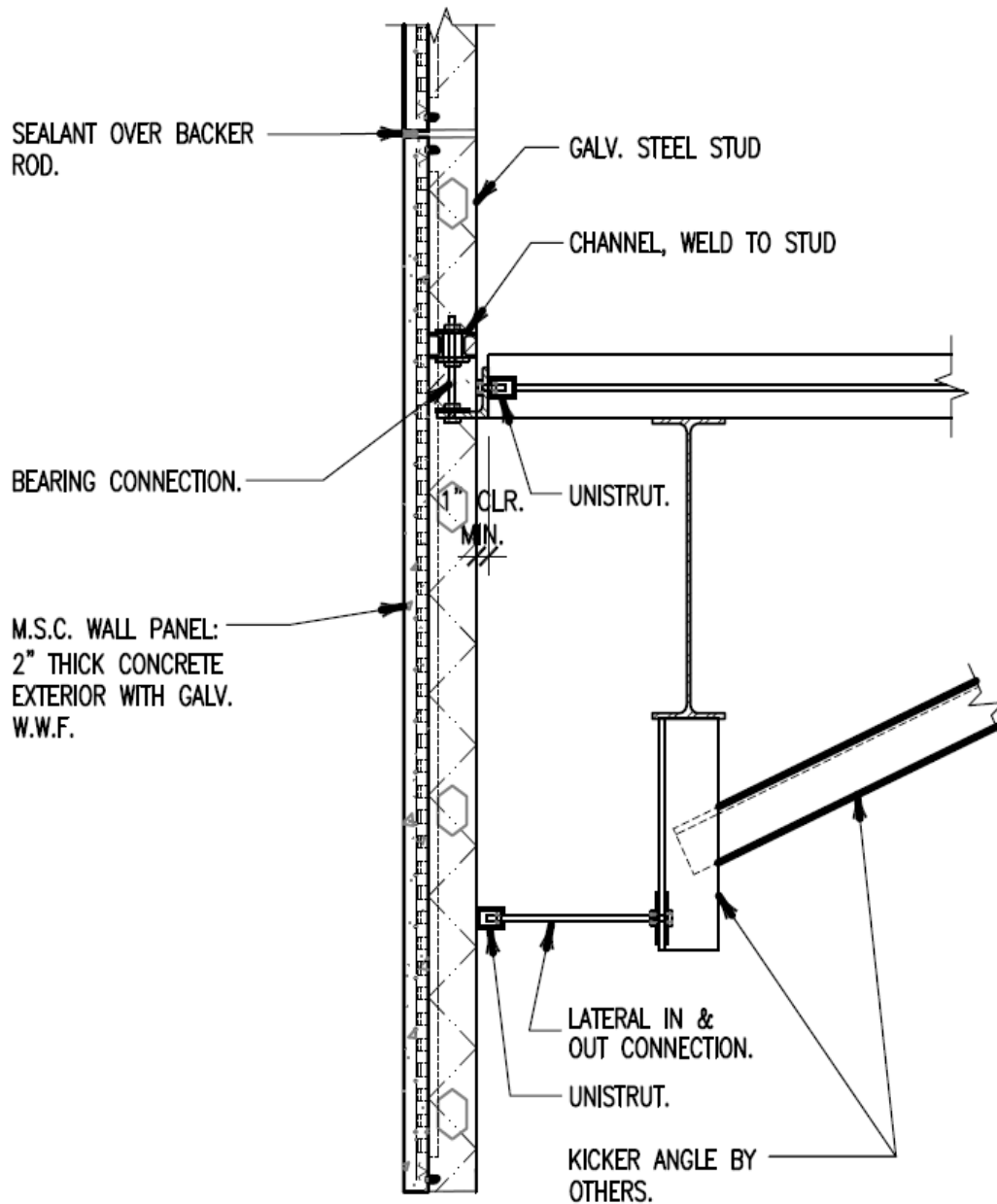


# Metal Stud Crete® Composite System

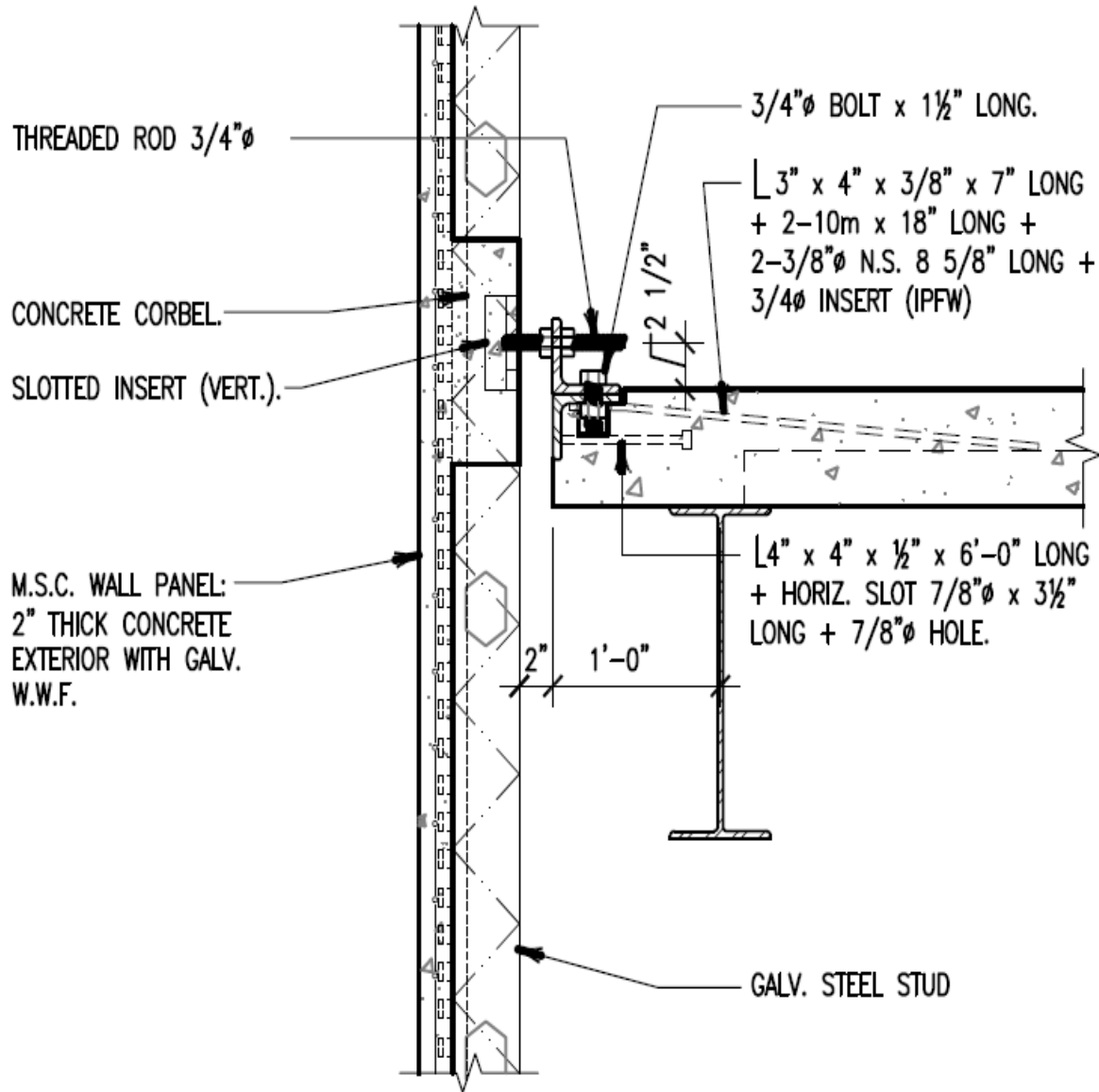


## SPANDREL PANEL CONNECTION OPTION #1

$$\frac{3}{4}'' = 1' - 0''$$

For further details on Metal Stud Crete® contact  
 Composite Building Systems Inc.  
 E-mail: [info@metalcrete.com](mailto:info@metalcrete.com)  
 Website: [www.metalcrete.com](http://www.metalcrete.com)  
 Phone: (818) 606-4703

# Metal Stud Crete® Composite System

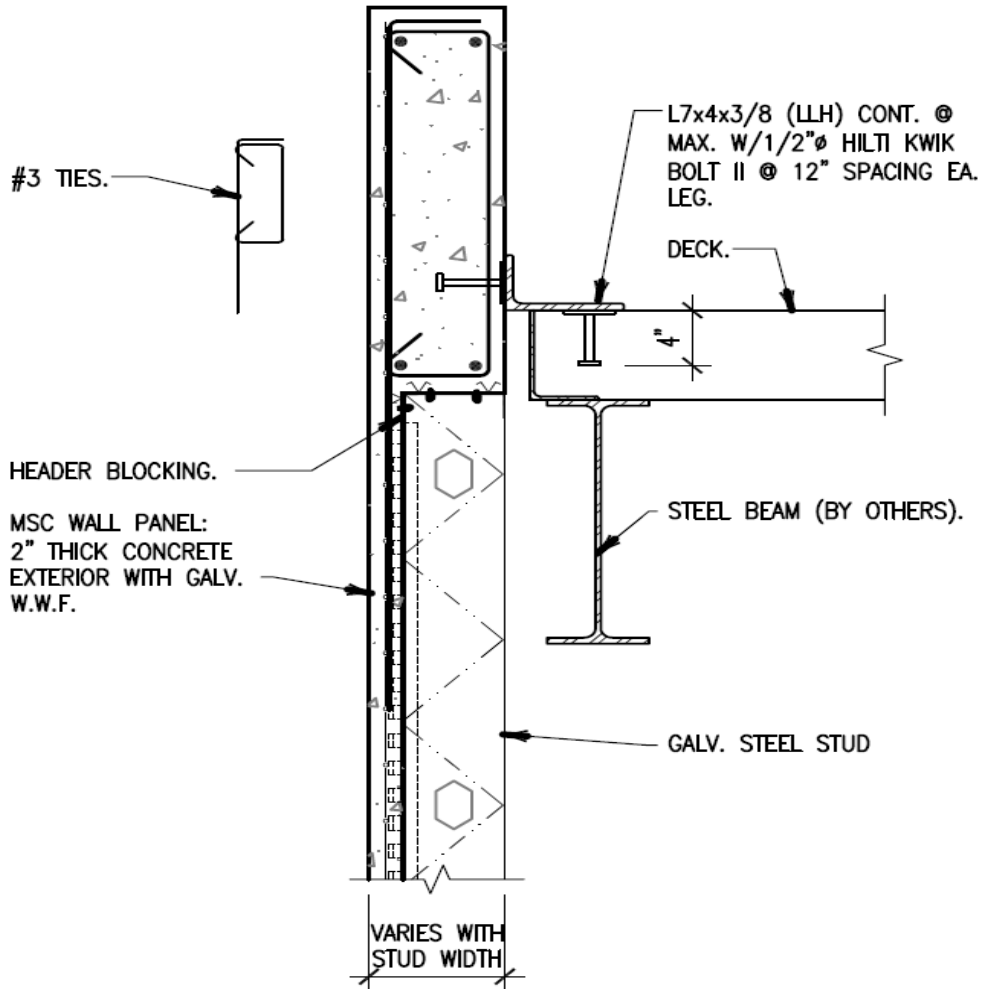


## SPANDREL PANEL CONNECTION – OPTION #2

1" = 1' - 0"

For further details on Metal Stud Crete® contact  
Composite Building Systems Inc.  
E-mail: [info@metalcrete.com](mailto:info@metalcrete.com)  
Website: [www.metalcrete.com](http://www.metalcrete.com)  
Phone: (818) 606-4703

# Metal Stud Crete® Composite System

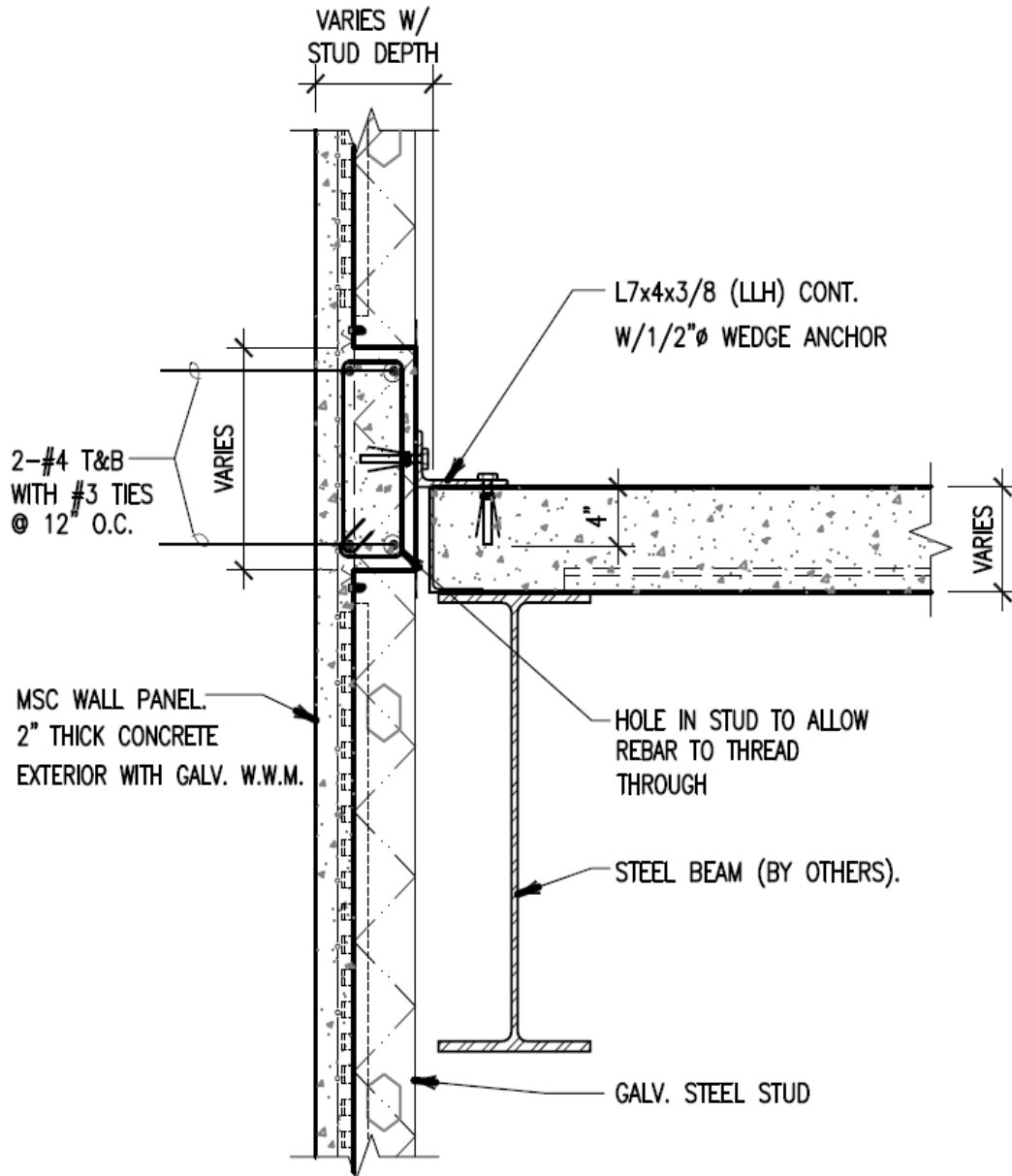


## M.S.C. WALL SPANDREL DETAIL @ DECK

1" = 1' - 0"

For further details on Metal Stud Crete® contact  
 Composite Building Systems Inc.  
 E-mail: [info@metalcrete.com](mailto:info@metalcrete.com)  
 Website: [www.metalcrete.com](http://www.metalcrete.com)  
 Phone: (818) 606-4703

# Metal Stud Crete® Composite System

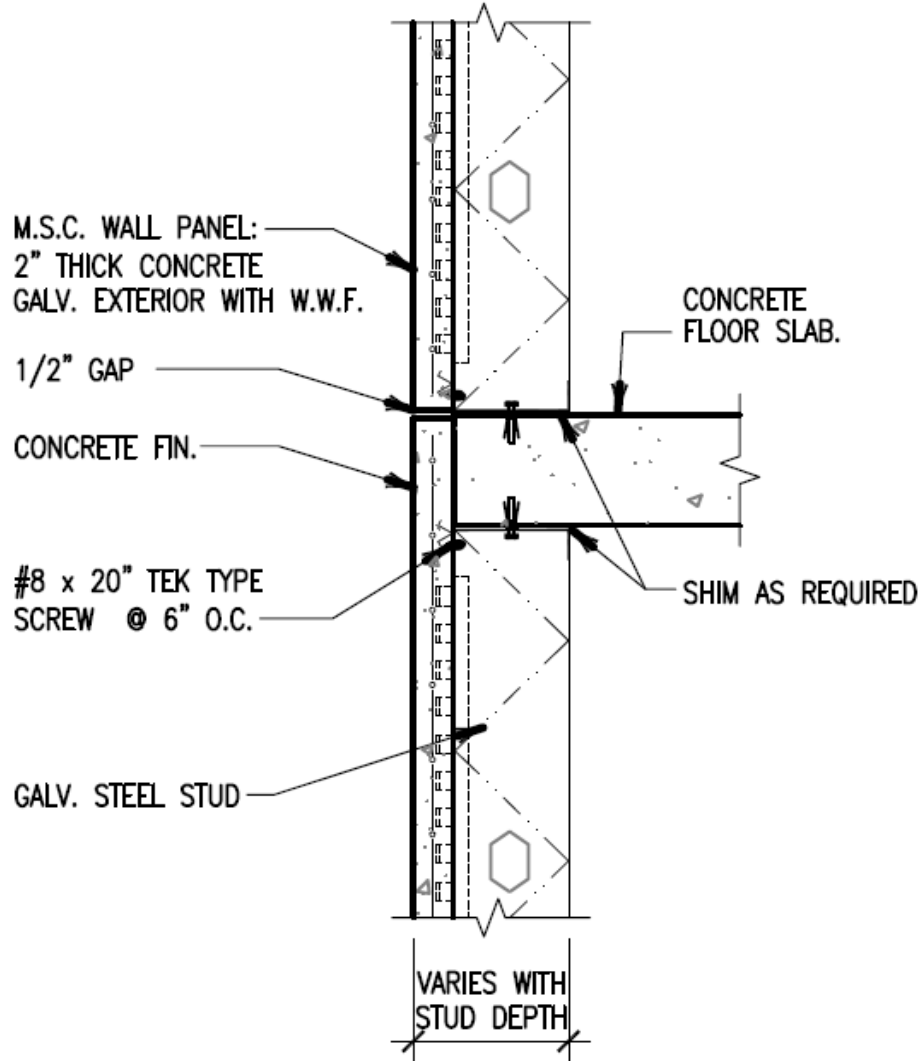


## M.S.C. WALL PANEL TO FLOOR DETAIL

1" = 1' - 0"

For further details on Metal Stud Crete® contact  
Composite Building Systems Inc.  
E-mail: [info@metalcrete.com](mailto:info@metalcrete.com)  
Website: [www.metalcrete.com](http://www.metalcrete.com)  
Phone: (818) 606-4703

# Metal Stud Crete® Composite System

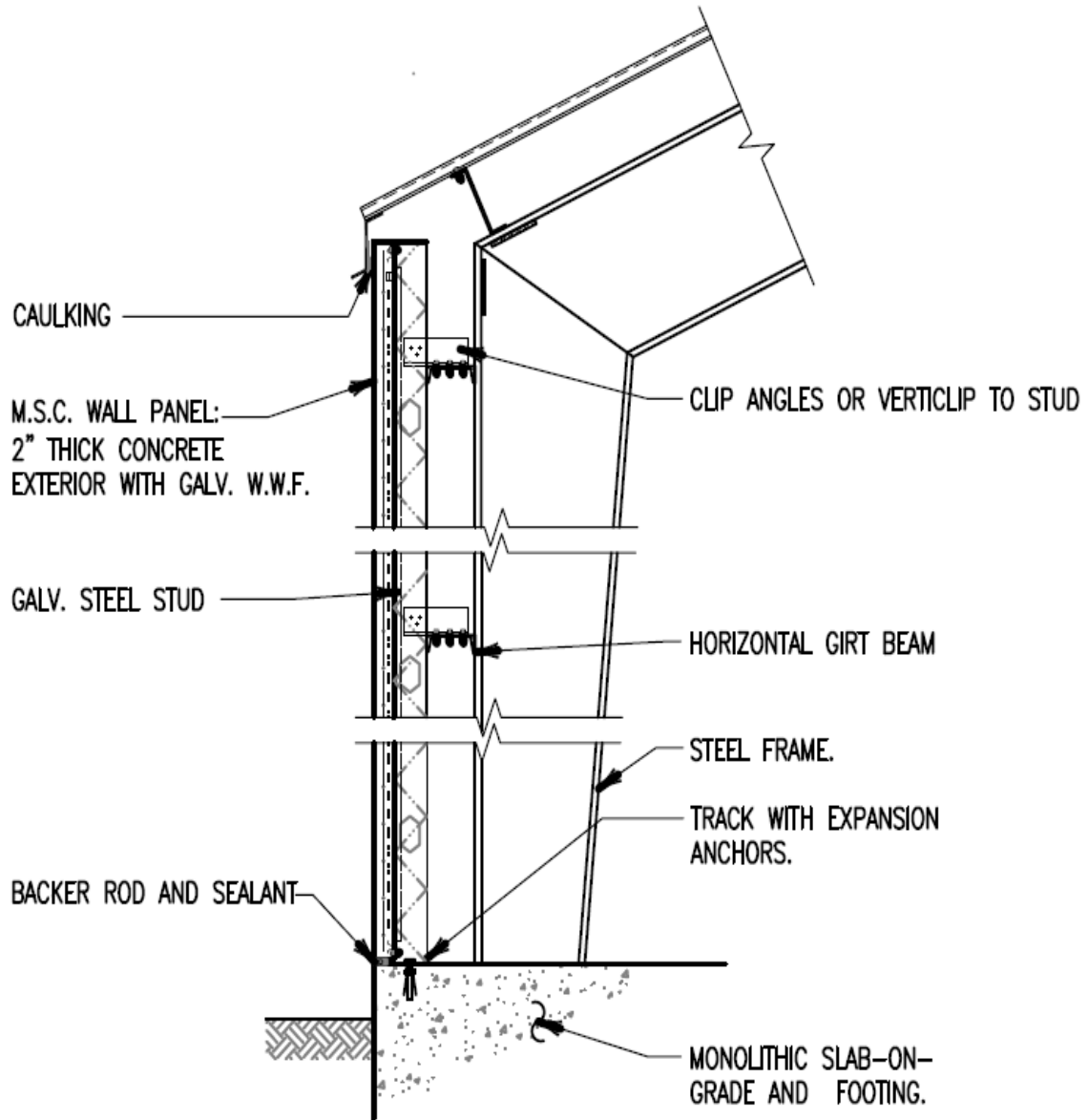


## M.S.C. PANEL WITH UPPER OR LOWER FIN AT CONCRETE FLOOR SECTION

1" = 1' - 0"

For further details on Metal Stud Crete® contact  
Composite Building Systems Inc.  
E-mail: [info@metalcrete.com](mailto:info@metalcrete.com)  
Website: [www.metalcrete.com](http://www.metalcrete.com)  
Phone: (818) 606-4703

# Metal Stud Crete® Composite System

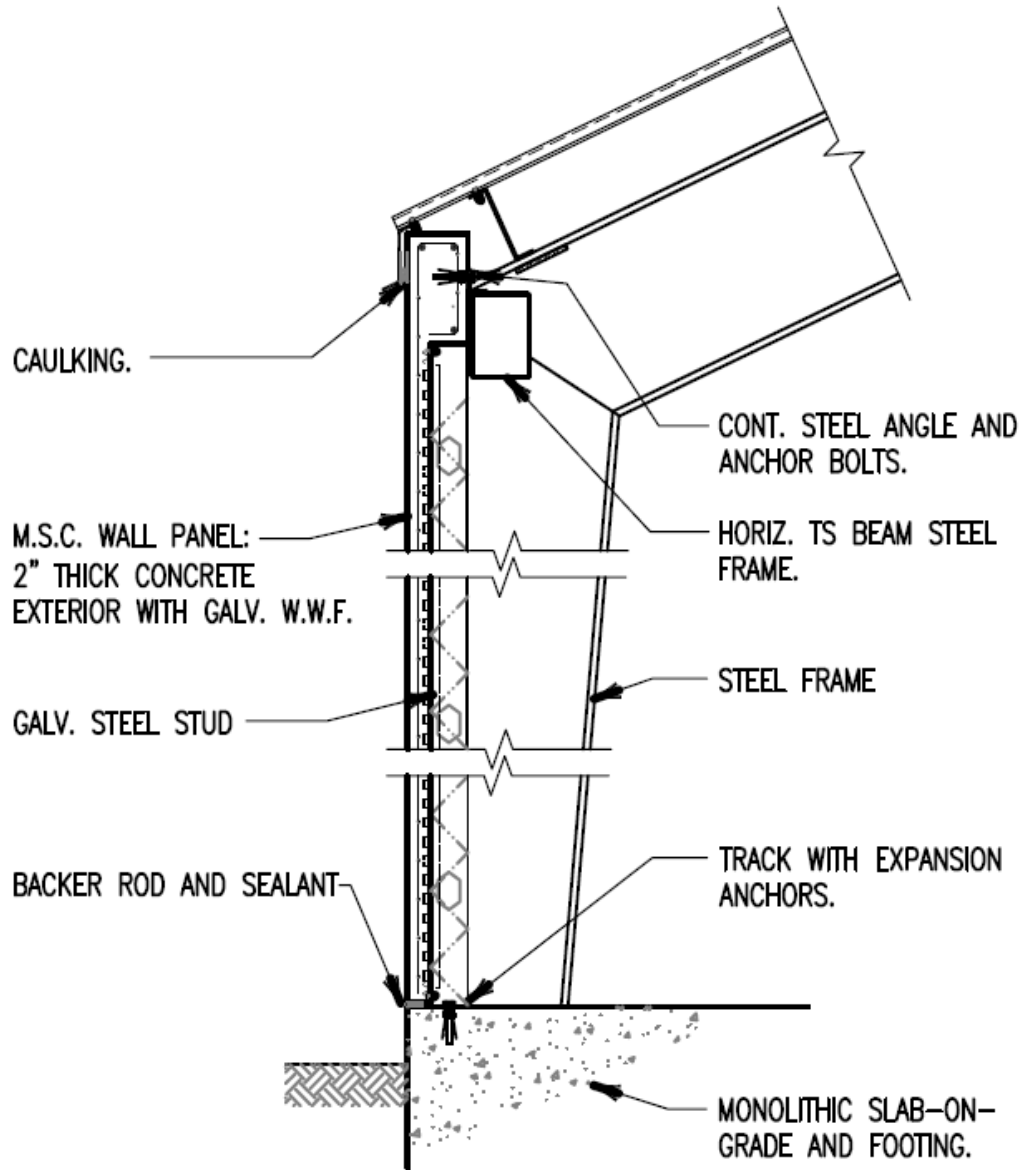


## M.S.C. CLADDING WALL PANEL APPLICATION FOR PRE-ENGINEERED STRUCTURES

$\frac{1}{2}'' = 1' - 0''$

For further details on Metal Stud Crete® contact  
Composite Building Systems Inc.  
E-mail: [info@metalcrete.com](mailto:info@metalcrete.com)  
Website: [www.metalcrete.com](http://www.metalcrete.com)  
Phone: (818) 606-4703

# Metal Stud Crete® Composite System

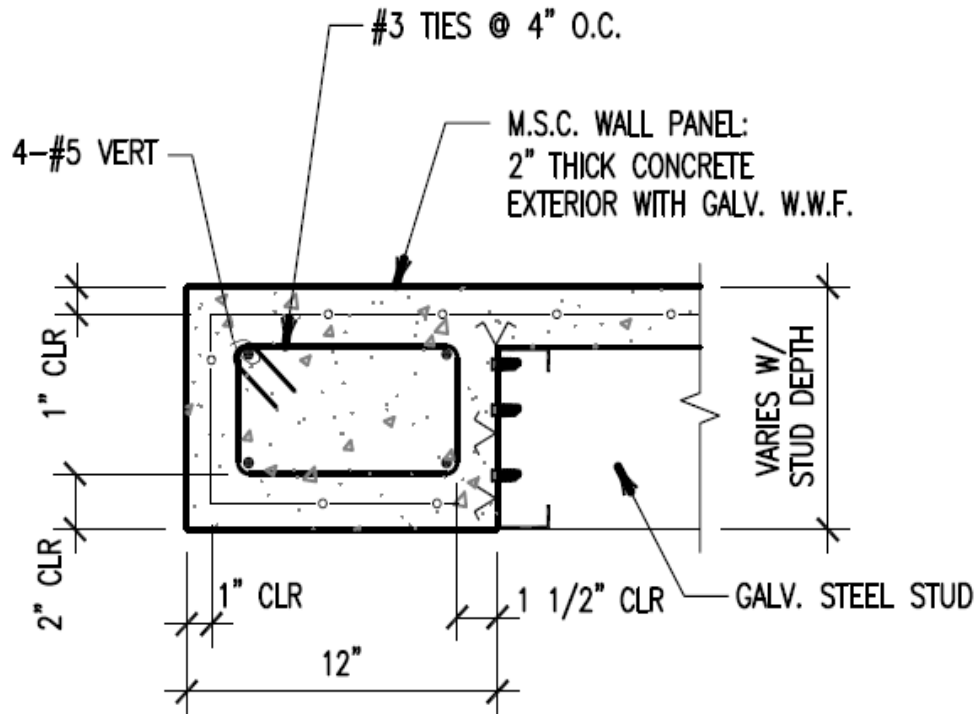


## M.S.C. SHEAR WALL PANEL APPLICATION FOR PRE-ENGINEERED STRUCTURES

$\frac{1}{2}'' = 1' - 0''$

For further details on Metal Stud Crete® contact  
Composite Building Systems Inc.  
E-mail: [info@metalcrete.com](mailto:info@metalcrete.com)  
Website: [www.metalcrete.com](http://www.metalcrete.com)  
Phone: (818) 606-4703

# Metal Stud Crete® Composite System



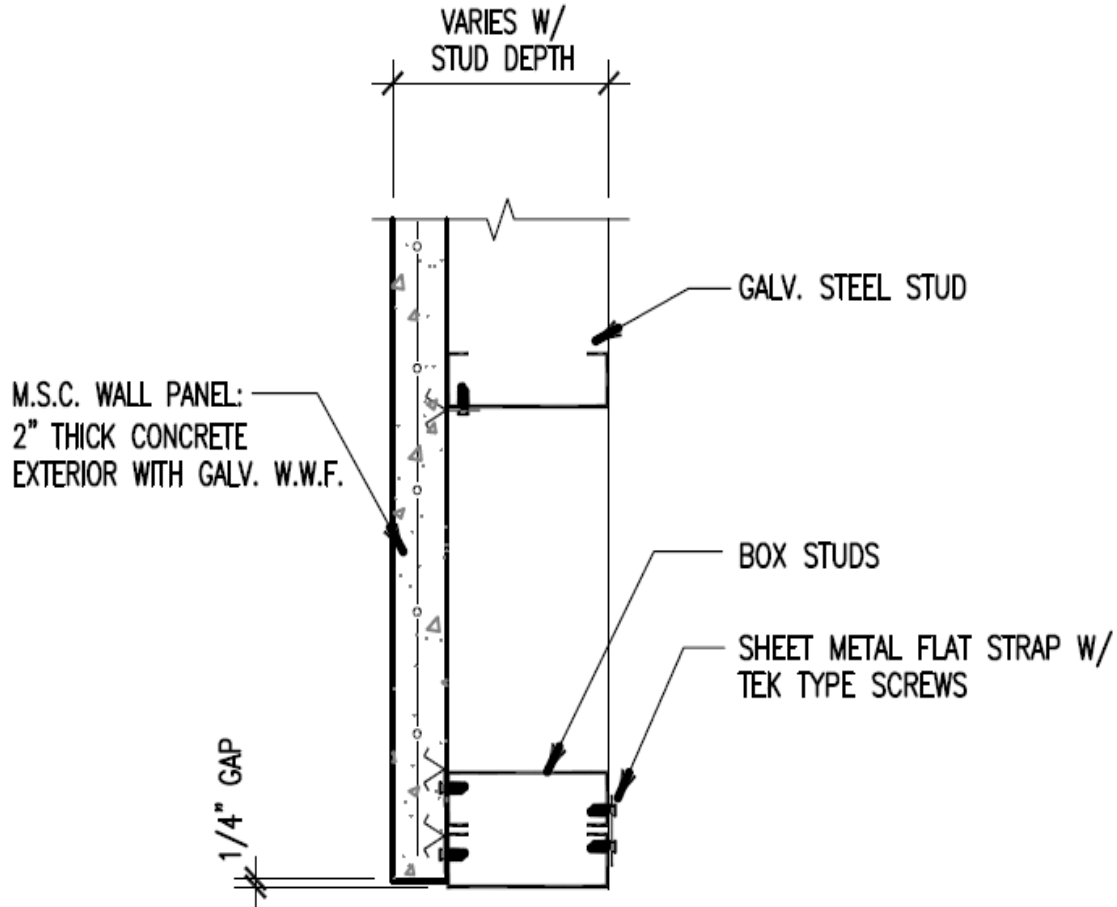
## M.S.C. PANEL END COLUMN CONDITION

$$1 \frac{1}{2}'' = 1' - 0''$$

For further details on Metal Stud Crete® contact  
 Composite Building Systems Inc.  
 E-mail: [info@metalcrete.com](mailto:info@metalcrete.com)  
 Website: [www.metalcrete.com](http://www.metalcrete.com)  
 Phone: (818) 606-4703



# Metal Stud Crete® Composite System

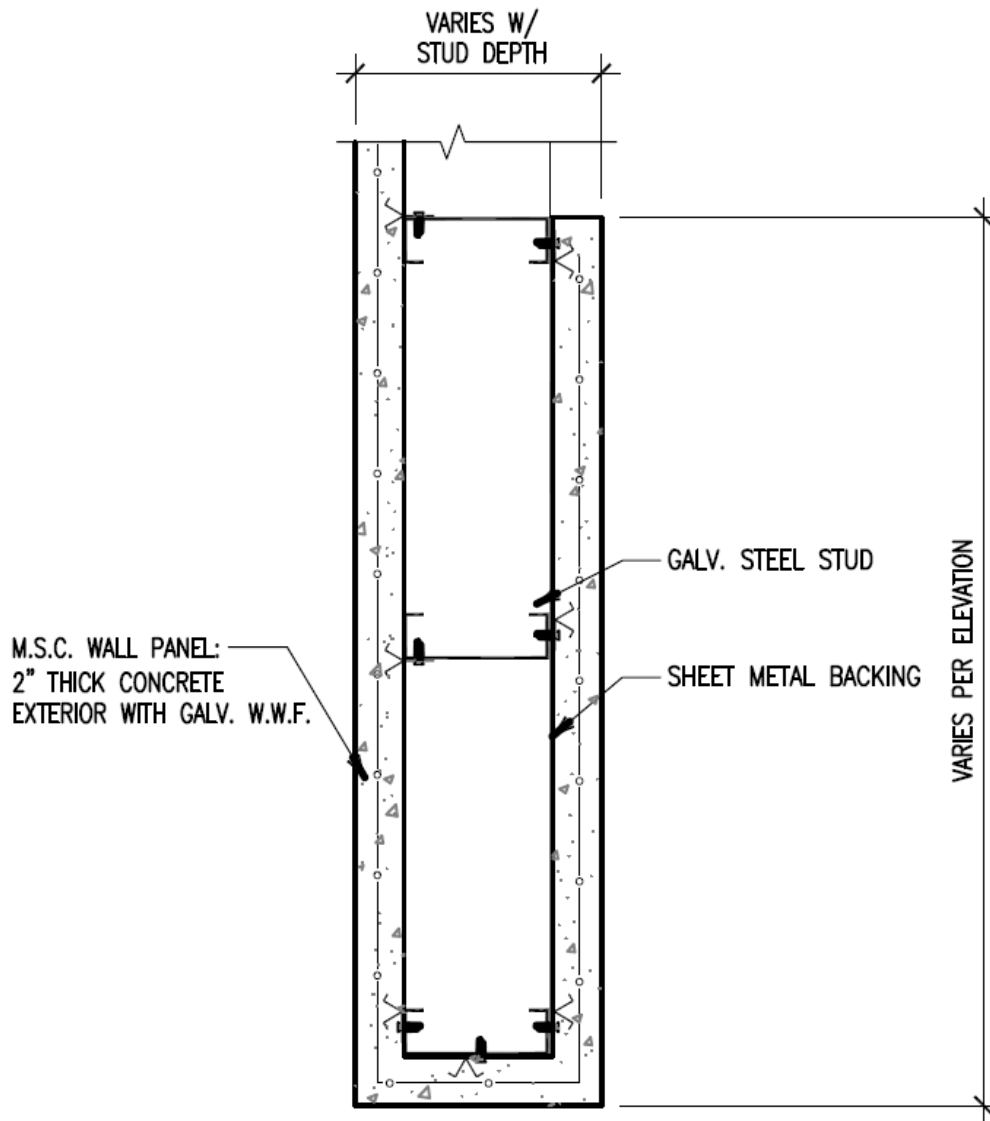


## M.S.C. PANEL END CONDITION WITH BOX STUDS

1 1/2" = 1' - 0"

For further details on Metal Stud Crete® contact  
 Composite Building Systems Inc.  
 E-mail: [info@metalcrete.com](mailto:info@metalcrete.com)  
 Website: [www.metalcrete.com](http://www.metalcrete.com)  
 Phone: (818) 606-4703

# Metal Stud Crete® Composite System

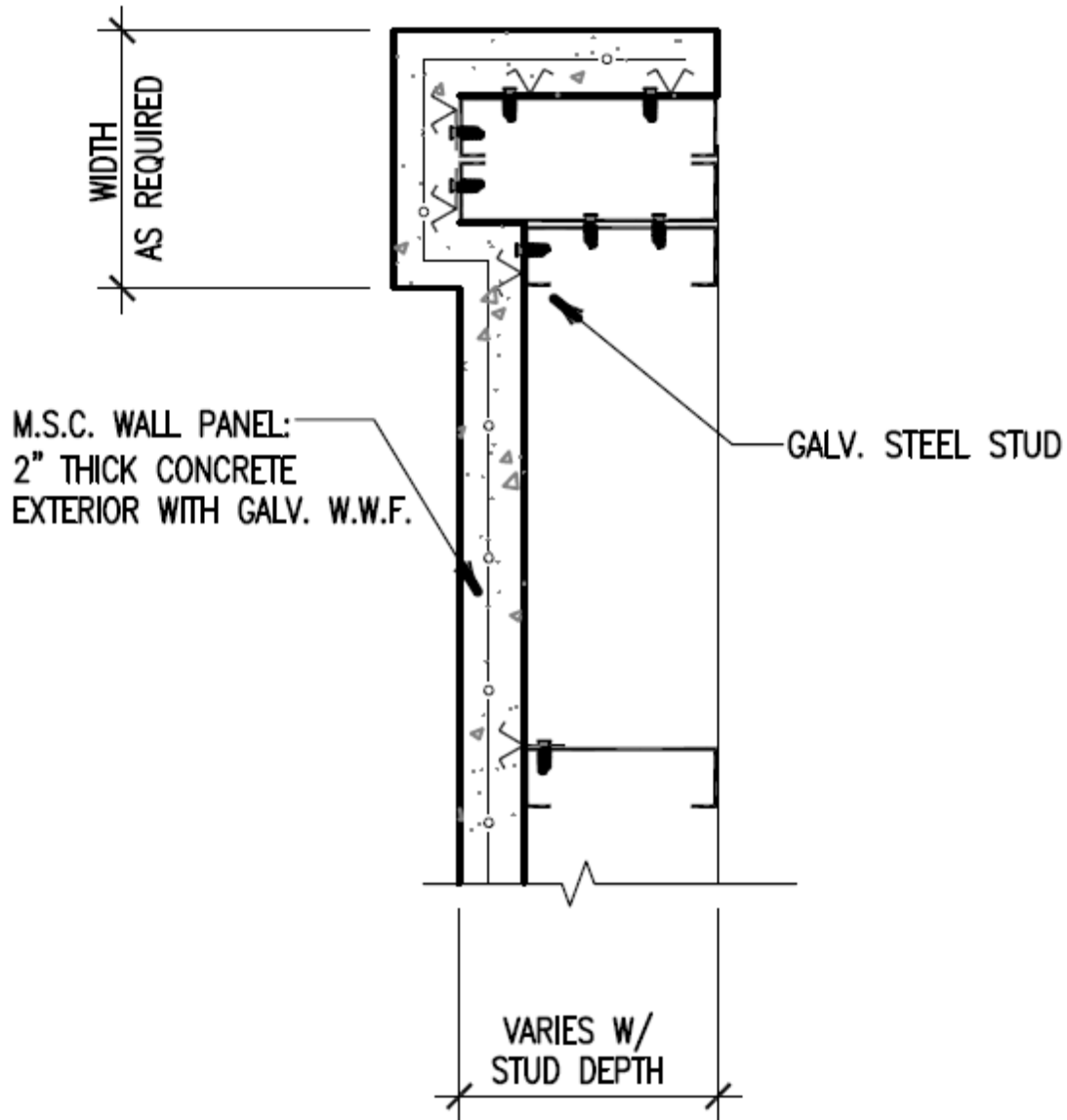


## M.S.C. PANEL THREE SIDED W/CONCRETE RETURN

$$1 \frac{1}{2}'' = 1' - 0''$$

For further details on Metal Stud Crete® contact  
 Composite Building Systems Inc.  
 E-mail: [info@metalcrete.com](mailto:info@metalcrete.com)  
 Website: [www.metalcrete.com](http://www.metalcrete.com)  
 Phone: (818) 606-4703

# Metal Stud Crete® Composite System

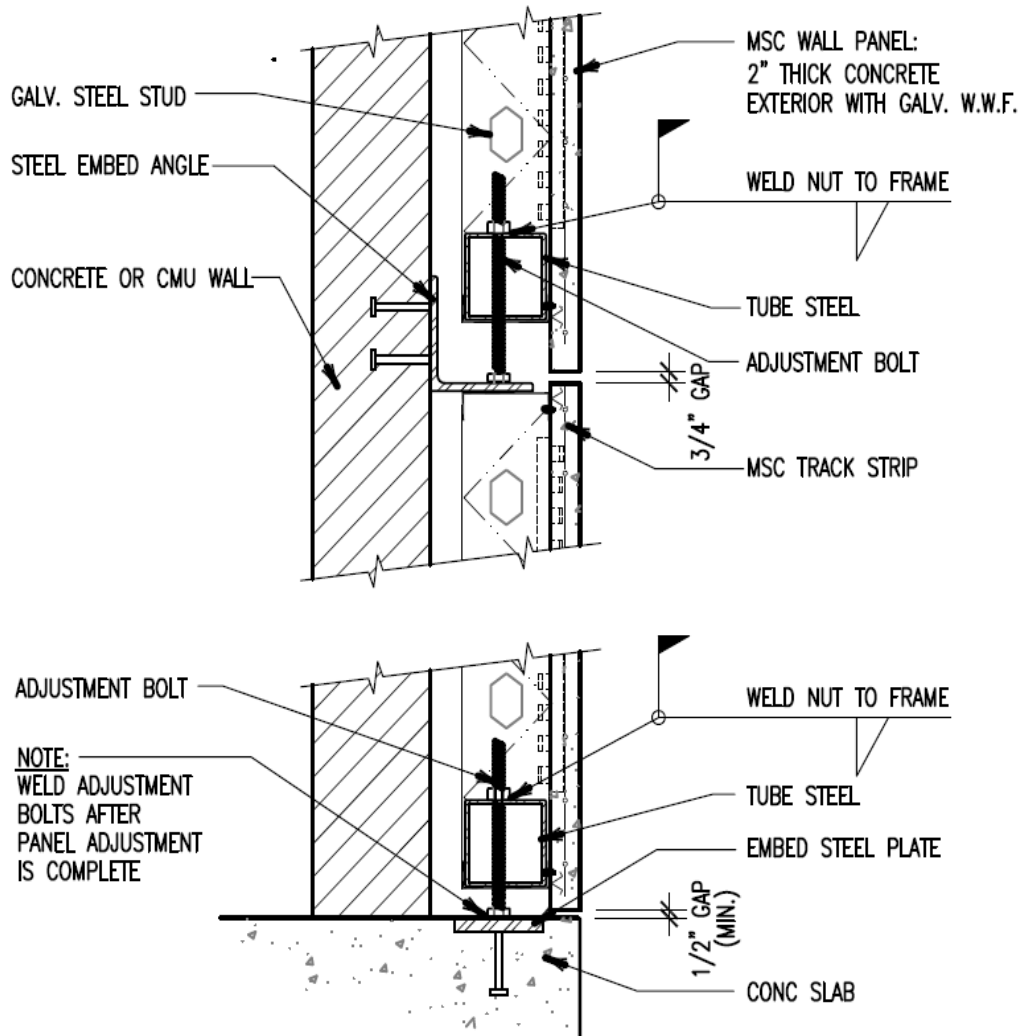


## M.S.C. END PANEL WITH ARCHITECTURAL DETAIL

1 ½" = 1' - 0"

For further details on Metal Stud Crete® contact  
 Composite Building Systems Inc.  
 E-mail: [info@metalcrete.com](mailto:info@metalcrete.com)  
 Website: [www.metalcrete.com](http://www.metalcrete.com)  
 Phone: (818) 606-4703

# Metal Stud Crete® Composite System

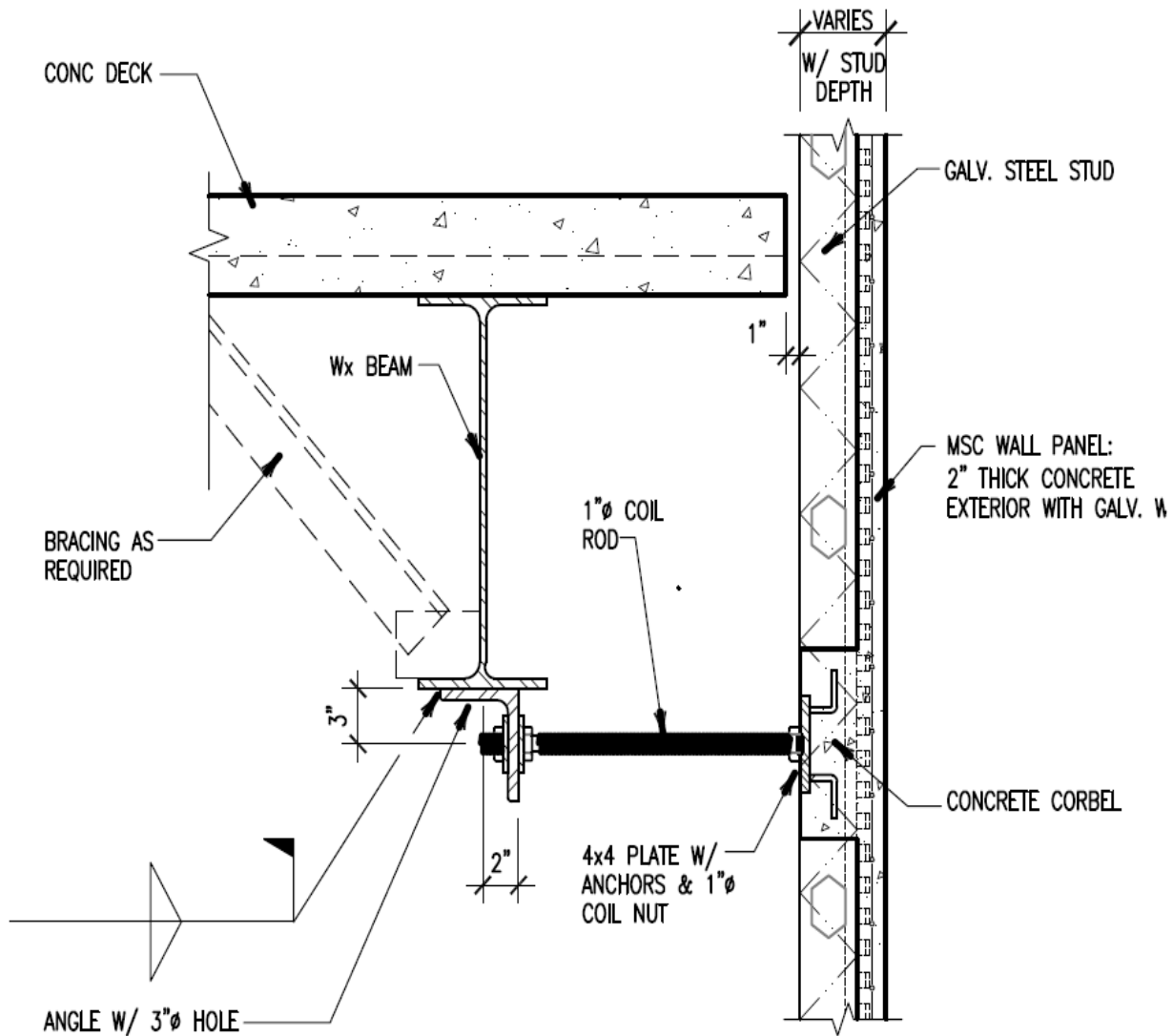


## M.S.C. PANEL CONNECTION TO BLOCK OR CONCRETE WALL

1" = 1' - 0"

For further details on Metal Stud Crete® contact  
 Composite Building Systems Inc.  
 E-mail: [info@metalcrete.com](mailto:info@metalcrete.com)  
 Website: [www.metalcrete.com](http://www.metalcrete.com)  
 Phone: (818) 606-4703

# Metal Stud Crete® Composite System

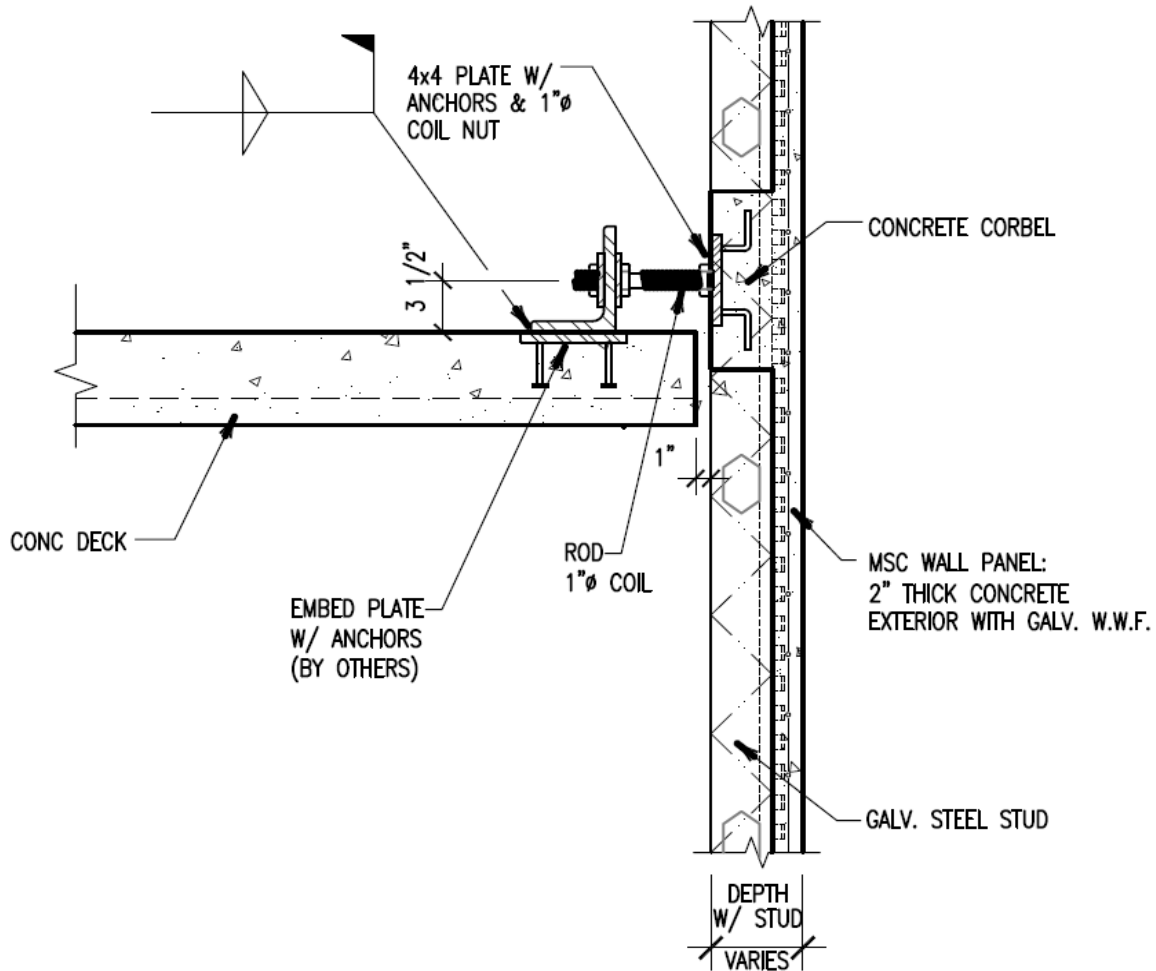


## M.S.C. IN-OUT CONNECTION AT BEAM OR COLUMN

1" = 1' - 0"

For further details on Metal Stud Crete® contact  
 Composite Building Systems Inc.  
 E-mail: [info@metalcrete.com](mailto:info@metalcrete.com)  
 Website: [www.metalcrete.com](http://www.metalcrete.com)  
 Phone: (818) 606-4703

# Metal Stud Crete® Composite System

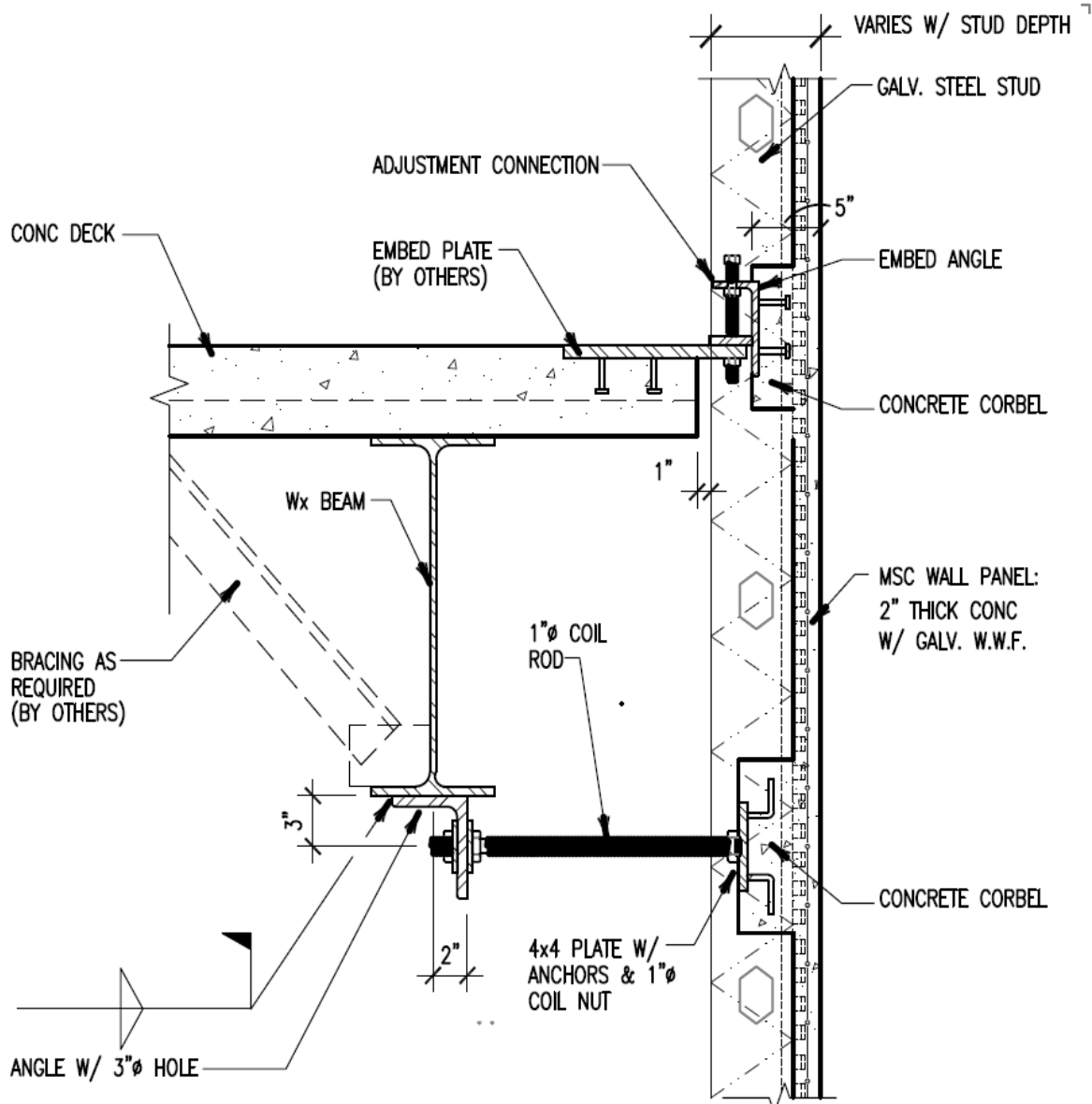


## M.S.C. IN-OUT CONNECTION AT CONCRETE SLAB

$$1'' = 1' - 0''$$

For further details on Metal Stud Crete® contact  
 Composite Building Systems Inc.  
 E-mail: [info@metalcrete.com](mailto:info@metalcrete.com)  
 Website: [www.metalcrete.com](http://www.metalcrete.com)  
 Phone: (818) 606-4703

# Metal Stud Crete® Composite System

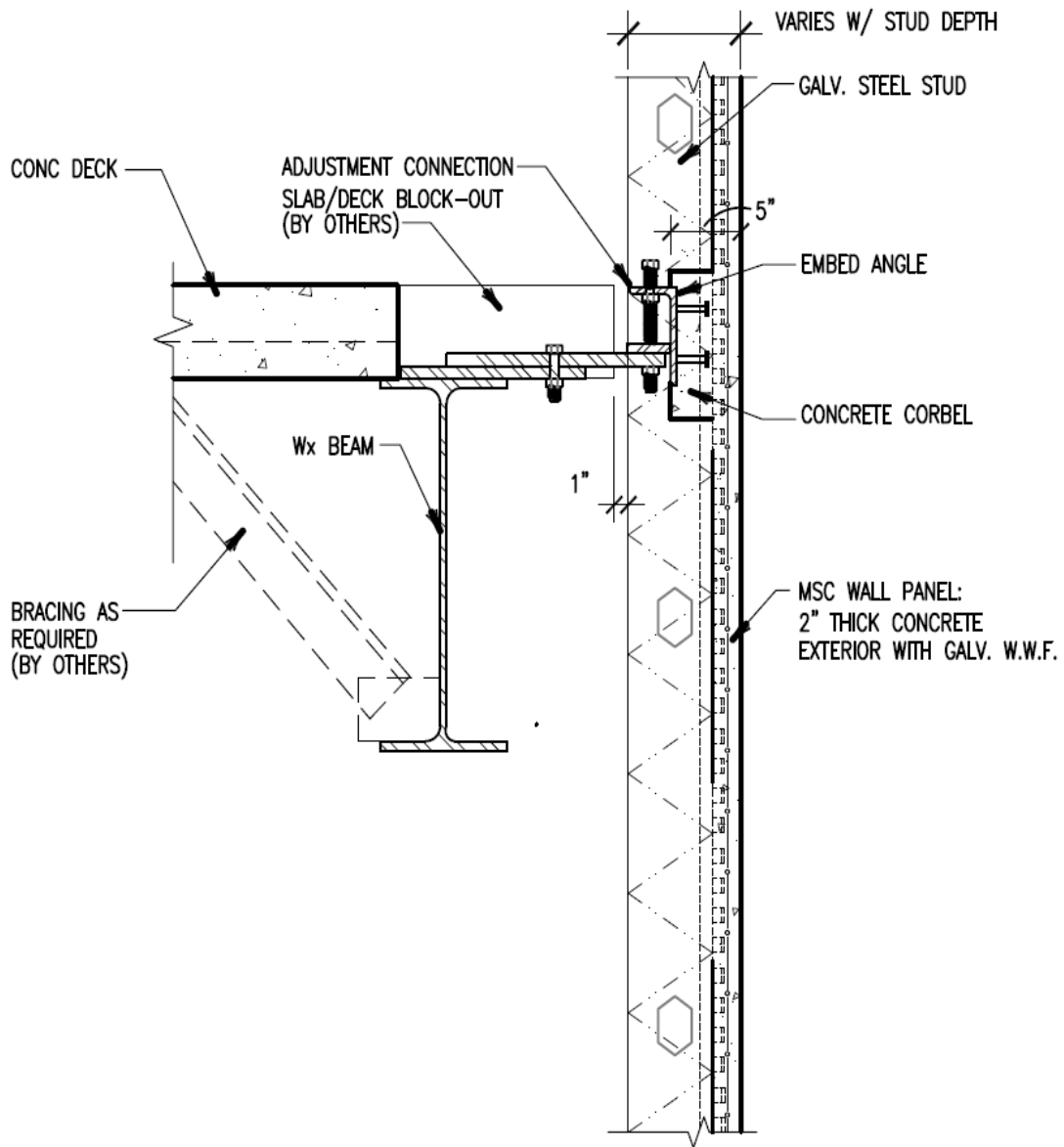


## M.S.C. IN-OUT CONNECTION AT FLOOR & BEAM

1" = 1' - 0"

For further details on Metal Stud Crete® contact  
 Composite Building Systems Inc.  
 E-mail: [info@metalcrete.com](mailto:info@metalcrete.com)  
 Website: [www.metalcrete.com](http://www.metalcrete.com)  
 Phone: (818) 606-4703

# Metal Stud Crete® Composite System



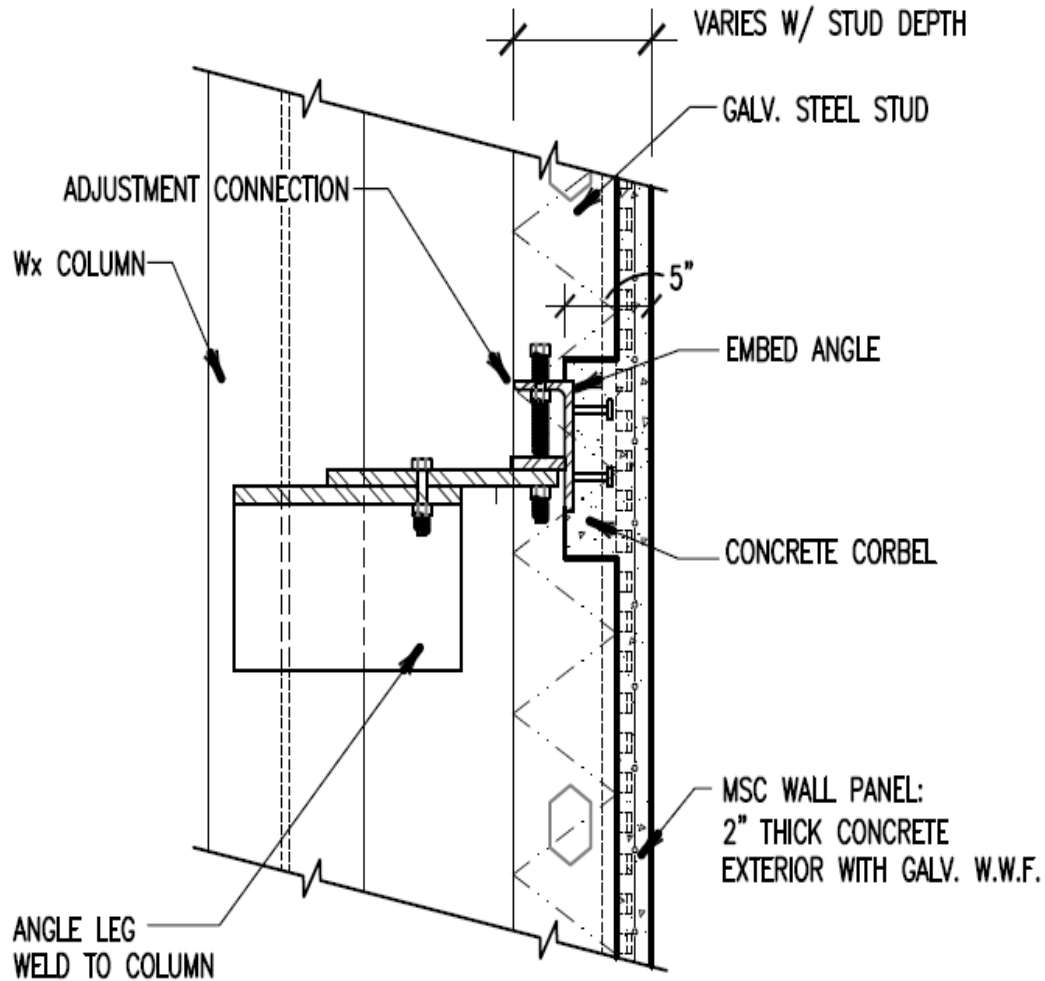
## M.S.C. PANEL DEAD LOAD BEARING CONNECTION AT BEAM

1" = 1' - 0"

For further details on Metal Stud Crete® contact  
 Composite Building Systems Inc.  
 E-mail: [info@metalcrete.com](mailto:info@metalcrete.com)  
 Website: [www.metalcrete.com](http://www.metalcrete.com)  
 Phone: (818) 606-4703



# Metal Stud Crete® Composite System

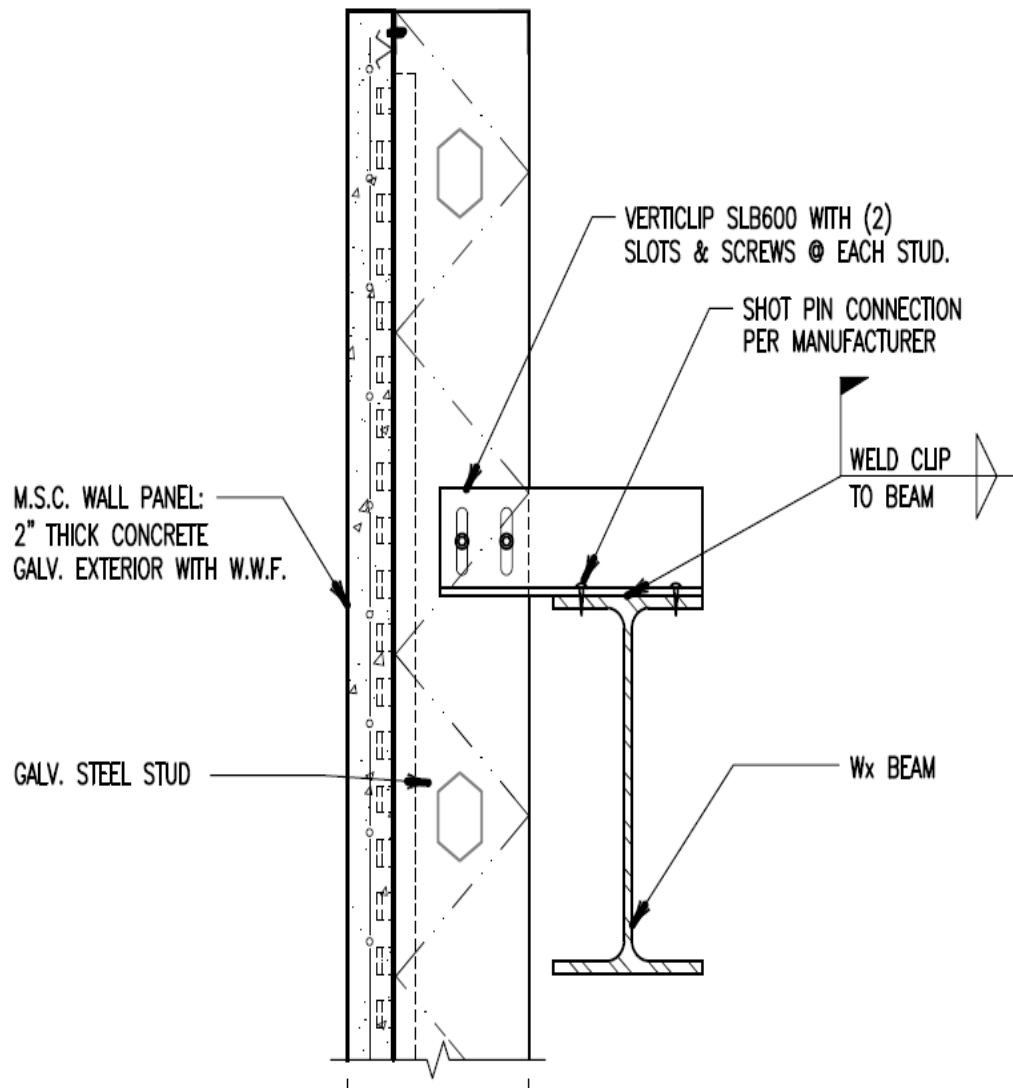


## M.S.C. PANEL DEAD LOAD BEARING CONNECTION AT EACH SIDE OF COLUMN

1" = 1' - 0"

For further details on Metal Stud Crete® contact  
Composite Building Systems Inc.  
E-mail: [info@metalcrete.com](mailto:info@metalcrete.com)  
Website: [www.metalcrete.com](http://www.metalcrete.com)  
Phone: (818) 606-4703

# Metal Stud Crete® Composite System

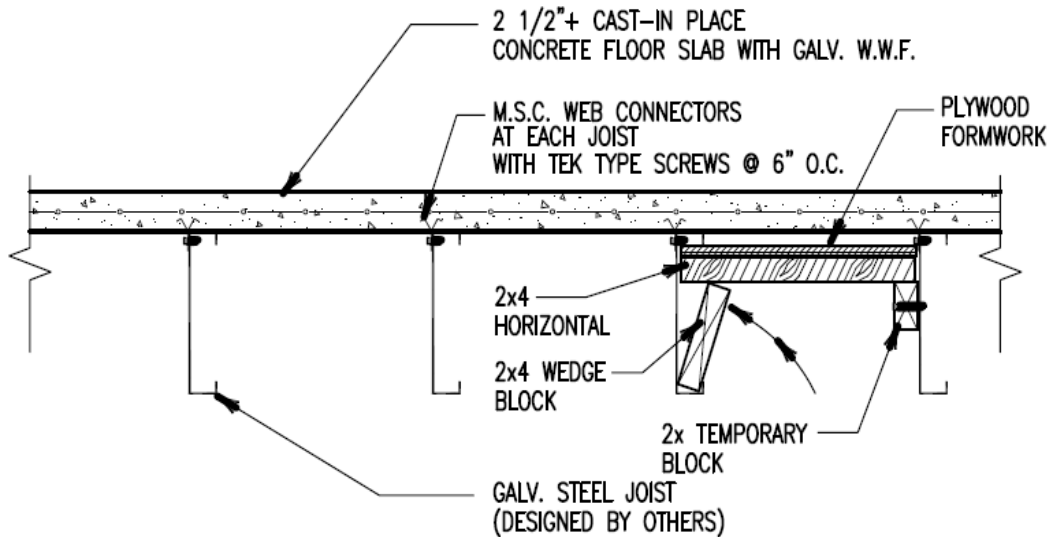


## M.S.C. PANEL WITH VERTICLIP ATTACHMENT TO BEAM

1 1/2" = 1' - 0"

For further details on Metal Stud Crete® contact  
 Composite Building Systems Inc.  
 E-mail: [info@metalcrete.com](mailto:info@metalcrete.com)  
 Website: [www.metalcrete.com](http://www.metalcrete.com)  
 Phone: (818) 606-4703

# Metal Stud Crete® Composite System

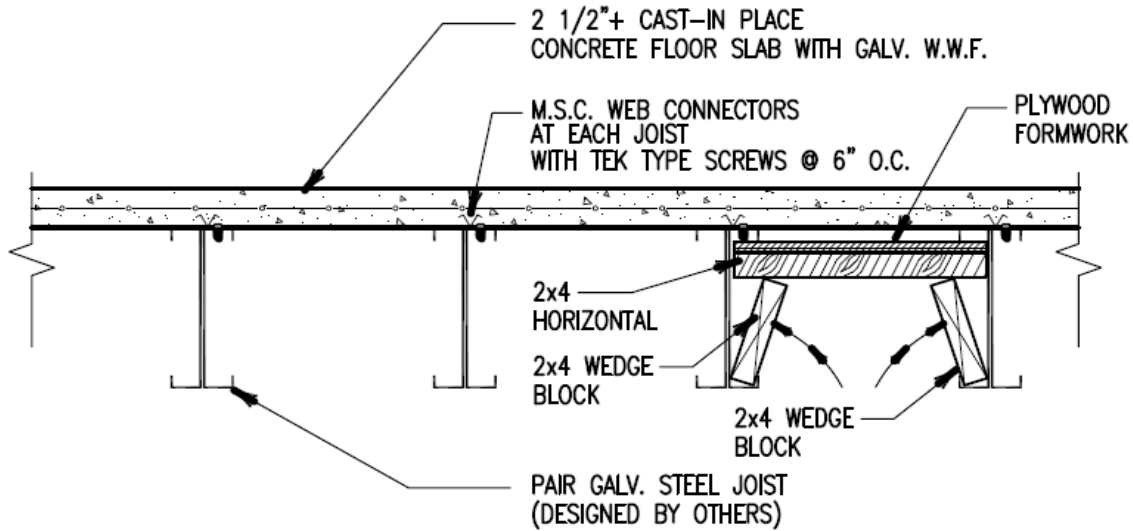


## M.S.C. COMPOSITE FLOOR – ROOF CAST IN PLACE OPTION 1 – SINGLE JOIST

1" = 1' - 0"

For further details on Metal Stud Crete® contact  
Composite Building Systems Inc.  
E-mail: [info@metalcrete.com](mailto:info@metalcrete.com)  
Website: [www.metalcrete.com](http://www.metalcrete.com)  
Phone: (818) 606-4703

# Metal Stud Crete® Composite System

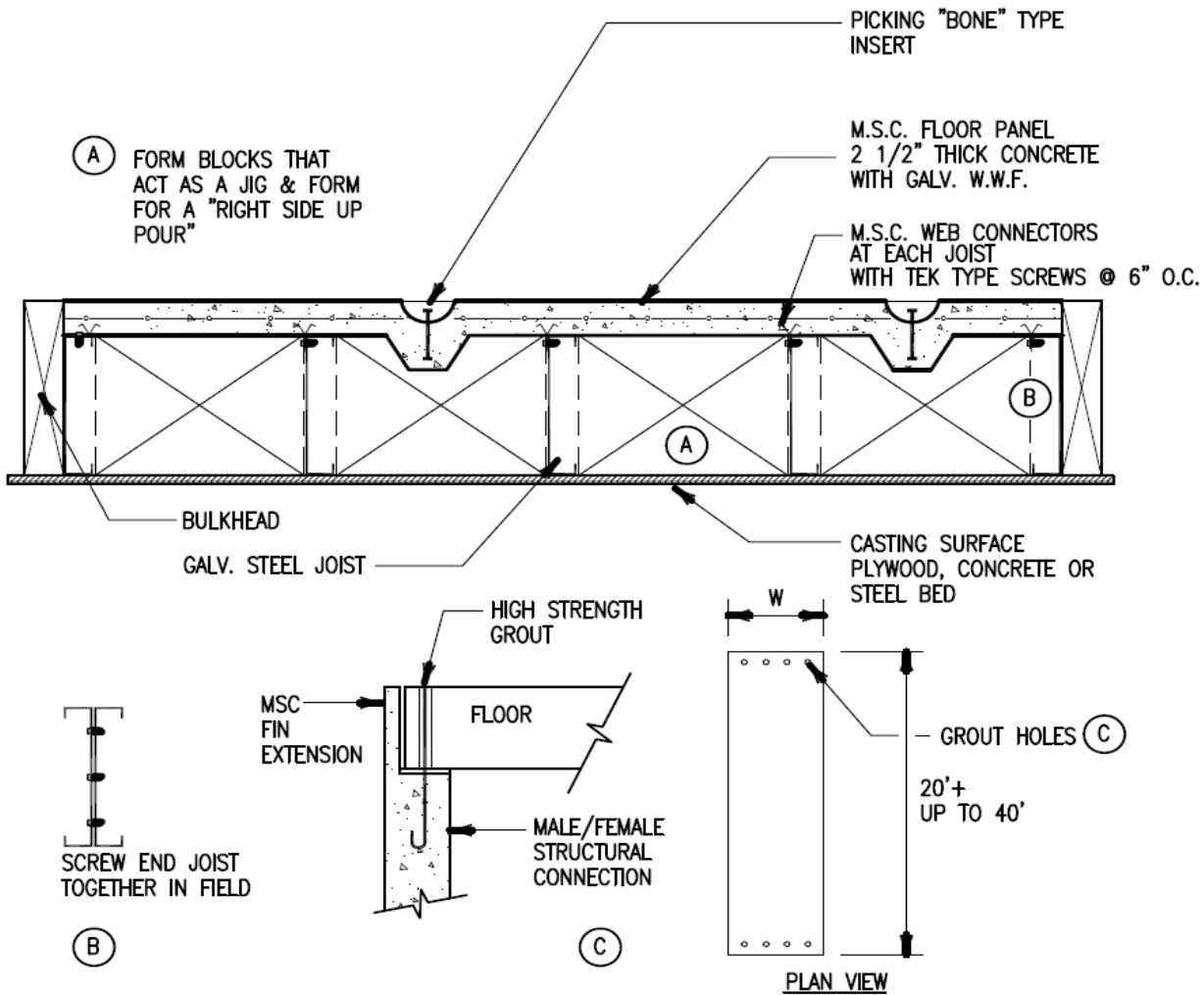


## M.S.C. COMPOSITE FLOOR-FLOOR CAST IN PLACE OPTION 2 – DOUBLE JOIST

1" = 1' - 0"

For further details on Metal Stud Crete® contact  
Composite Building Systems Inc.  
E-mail: [info@metalcrete.com](mailto:info@metalcrete.com)  
Website: [www.metalcrete.com](http://www.metalcrete.com)  
Phone: (818) 606-4703

# Metal Stud Crete® Composite System



## M.S.C. COMPOSITE FLOOR – ROOF PRE-CAST

1" = 1' - 0"

For further details on Metal Stud Crete® contact  
 Composite Building Systems Inc.  
 E-mail: [info@metalcrete.com](mailto:info@metalcrete.com)  
 Website: [www.metalcrete.com](http://www.metalcrete.com)  
 Phone: (818) 606-4703