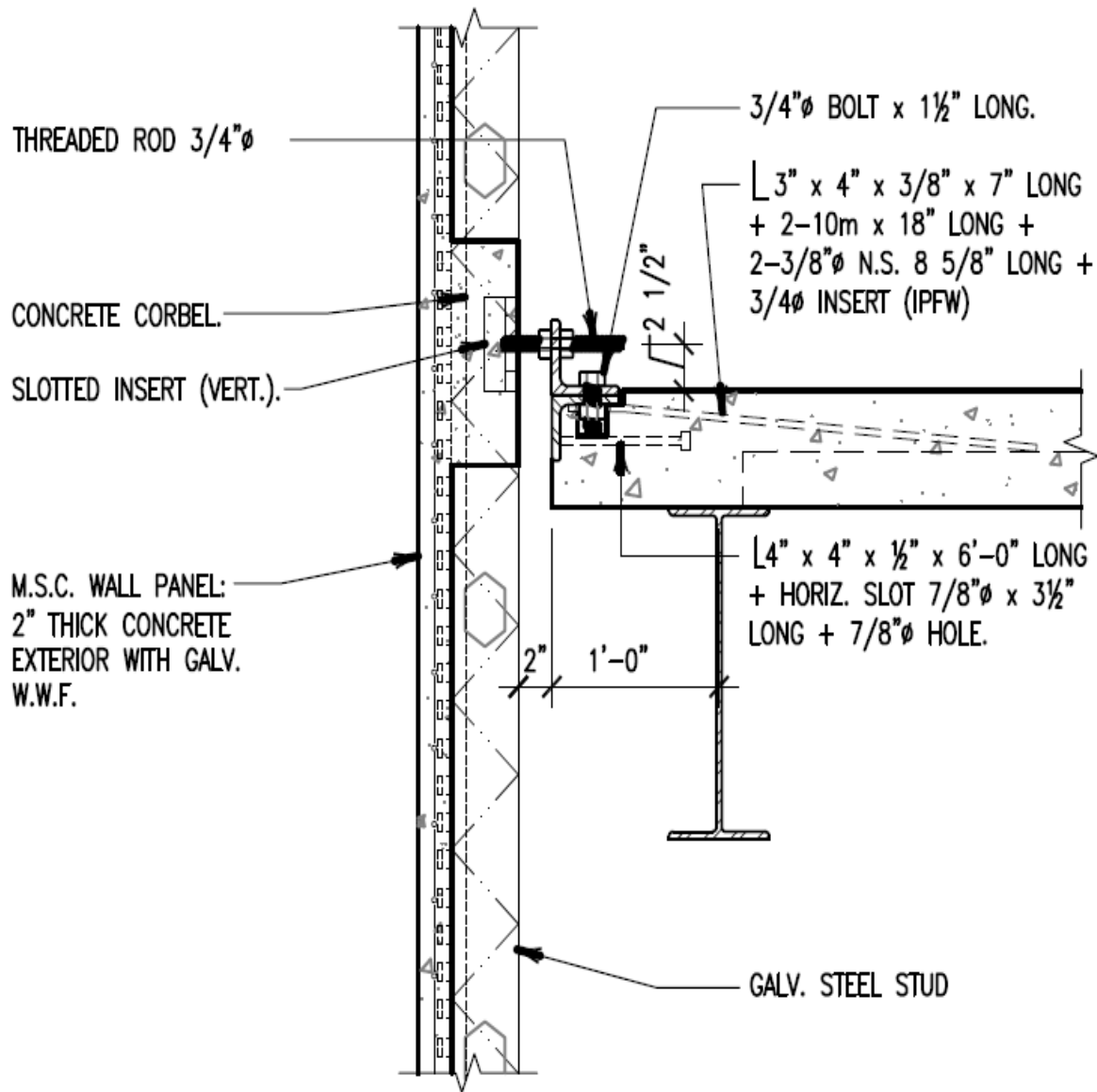


Metal Stud Crete® Composite System



SPANDREL PANEL CONNECTION – OPTION #2

1" = 1' - 0"

For further details on Metal Stud Crete® contact
Composite Building Systems Inc.
E-mail: info@metalcrete.com
Website: www.metalcrete.com
Phone: (818) 606-4703