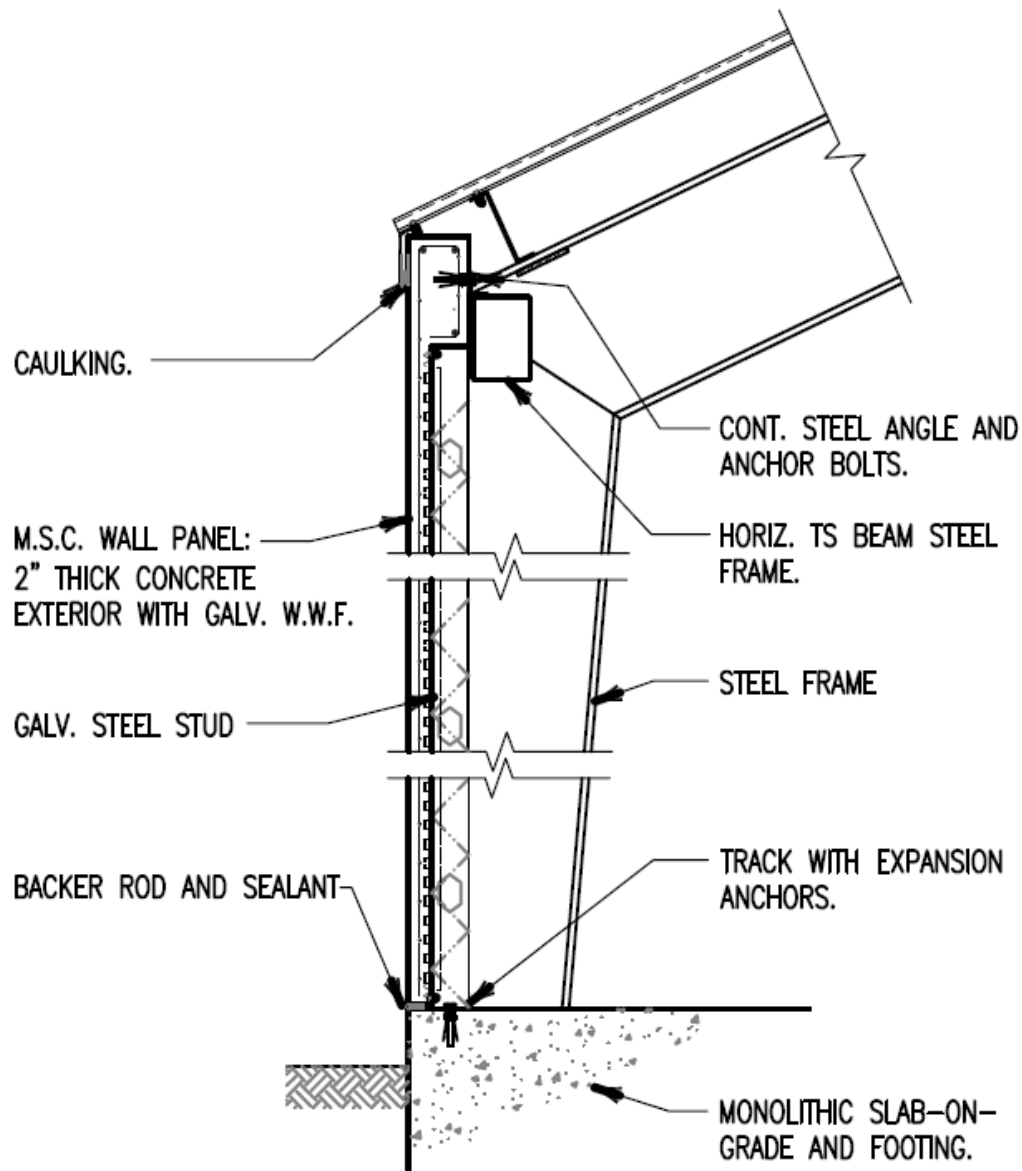


# Metal Stud Crete® Composite System



**M.S.C. SHEAR WALL PANEL**  
**APPLICATION FOR PRE-ENGINEERED STRUCTURES**

$\frac{1}{2}'' = 1' - 0''$

For further details on Metal Stud Crete® contact  
Composite Building Systems Inc.  
E-mail: [info@metalcrete.com](mailto:info@metalcrete.com)  
Website: [www.metalcrete.com](http://www.metalcrete.com)  
Phone: (818) 606-4703

For further details on Metal Stud Crete® contact  
Composite Building Systems Inc.  
E-mail: [info@metalcrete.com](mailto:info@metalcrete.com)  
Website: [www.metalcrete.com](http://www.metalcrete.com)  
Phone: (818) 606-4703