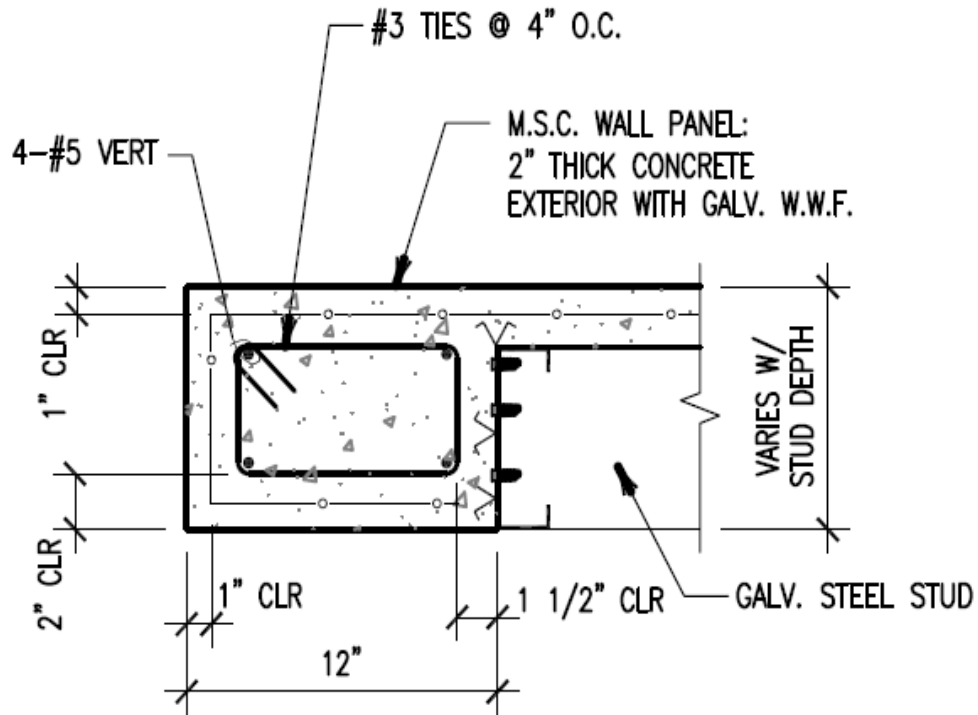


Metal Stud Crete® Composite System



M.S.C. PANEL END COLUMN CONDITION

$$1 \frac{1}{2}'' = 1' - 0''$$

For further details on Metal Stud Crete® contact
 Composite Building Systems Inc.
 E-mail: info@metalcrete.com
 Website: www.metalcrete.com
 Phone: (818) 606-4703