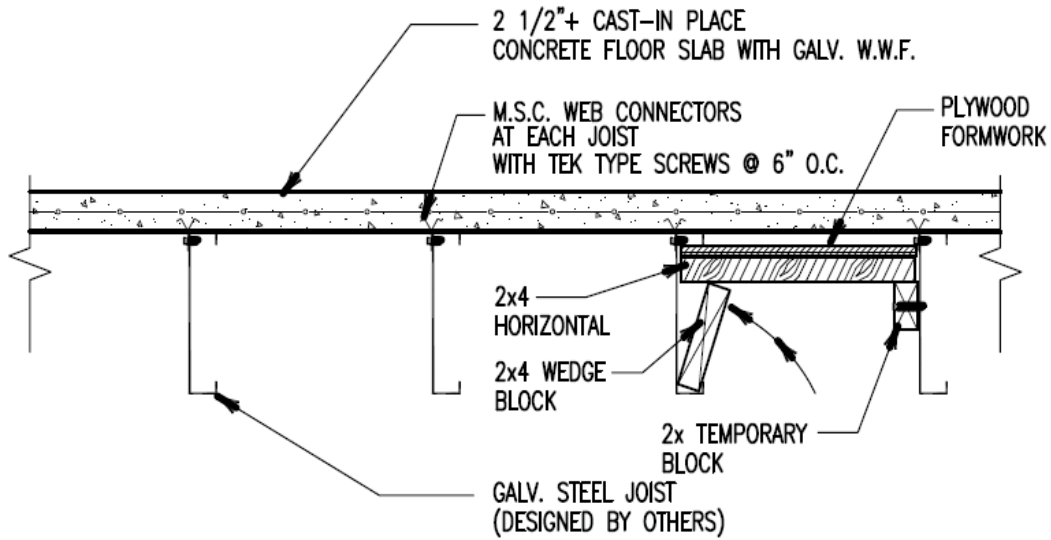


Metal Stud Crete® Composite System



M.S.C. COMPOSITE FLOOR – ROOF CAST IN PLACE OPTION 1 – SINGLE JOIST

1" = 1' - 0"