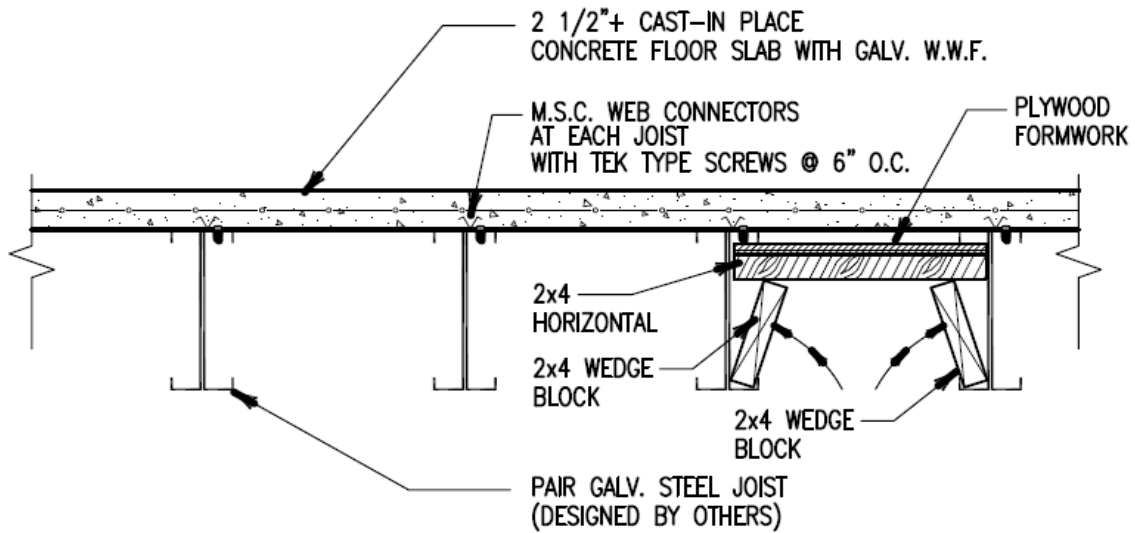


Metal Stud Crete® Composite System



M.S.C. COMPOSITE FLOOR-FLOOR CAST IN PLACE
OPTION 2 – DOUBLE JOIST

1" = 1' - 0"