

ICC-ES Evaluation Report

ESR-2511

Reissued October 2019

This report is subject to renewal October 2020.

www.icc-es.org | (800) 423-6587 | (562) 699-0543

A Subsidiary of the International Code Council®

DIVISION: 03 00 00—CONCRETE
Section: 03 21 00—Reinforcing Steel

REPORT HOLDER:

COMPOSITE BUILDING SYSTEMS, INC.

EVALUATION SUBJECT:

MetalStudCrete® (MSC) SHEAR TRANSFER STRIP

1.0 EVALUATION SCOPE

Compliance with the following codes:

- 2015, 2012, 2009 and 2006 *International Building Code*® (IBC)
- 2015, 2012, 2009 and 2006 *International Residential Code*® (IRC)

Properties evaluated:

Structural

2.0 DESCRIPTION

2.1 General:

MetalStudCrete is a light-gage steel connector strip used to transfer shear stresses in composite panel systems used as architectural cladding. The use of the strip is not limited to any seismic design category. The composite panels consist of light-gage steel studs and a reinforced concrete facing or topping on one side of the studs, with the MetalStudCrete metal connector providing a shear-flow connection between the steel studs and the concrete. See Figure 1 for a typical panel constructed with the MetalStudCrete connector strip.

2.2 Materials:

2.2.1 Steel Studs: Where the MetalStudCrete connector is used, steel studs in composite panels must be recognized in a current ICC-ES evaluation report. Physical and section properties are found in the evaluation report on the steel stud. Minimum steel thickness and yield strength for the studs must comply with Table 1 of this report.

2.2.2 MetalStudCrete Connector: The MetalStudCrete connector transfers shear stresses between the concrete facing and the light-gage steel stud. The strip is fastened to the web or flange of the stud and the flange of the track, and the strip/flange is then embedded into the concrete facing. The strip is fabricated from No. 18 gage [0.047 inch (1.19 mm)] steel, complying with ASTM A653 SS, Grade 33. The galvanized coating complies with

ASTM A924. See Figure 2 for dimensions of the MetalStudCrete connector.

2.2.3 Concrete: The concrete facing is normal-weight concrete complying with the provisions of IBC Chapter 19 or IRC Section R402.2, as applicable. The minimum compressive strength, f'_c , must be 2,500 psi (17.2 MPa) at 28 days.

2.2.4 Steel Reinforcement: Concrete panels must be reinforced in accordance with the structural design, and the steel reinforcement must comply with the IBC.

2.2.5 Screws: The MetalStudCrete connector must be attached to the stud using galvanized, self-drilling, self-tapping sheet metal screws conforming to SAE J78 and AISI CF 92-1. Table 1 shows calculated allowable shear values for various screw sizes for the stud strip attached to various thicknesses of stud. The values have been calculated using a factor of safety of 3.0 and the general fastener formulas given in the current edition of the AISI cold formed steel design manual, "North American Specification for the Design of Cold Formed Steel Structural Members." Screw manufacturer's design values must be developed using the test provisions of the specification. The design engineer must calculate the shear, pullout and tension requirements and select a screw which has sufficient capacity.

2.3 Design:

The panels are designed using the accepted engineering principles of transformed section properties and allowable stress design. The design must include consideration of light-gage steel design requirements specified in the Specification for Design of Cold-formed Steel Structural Members, published by the American Iron and Steel Institute. Additionally, the design must consider the shear flow capacity, q , of the connection between the MetalStudCrete connector and the steel stud, and the shear flow capacity, q , of the connection between the MetalStudCrete connector and the concrete. The design must also consider the strength and serviceability of the concrete.

The shear flow capacity of the MetalStudCrete connector embedded in minimum 2,500 psi (17.2 MPa) concrete, having a minimum thickness of 1½ inches (38 mm), is 620 pounds per lineal foot (9052 N/m). Refer to Table 2 for shear flow capacity, q , of the MetalStudCrete connector embedded in concrete of other strengths. Refer to Table 1 for the shear flow capacity, q , of the MetalStudCrete connector fastened to a steel stud.

The pull-out capacity of the MetalStudCrete connector embedded in concrete having a minimum thickness of 1 1/2 inches (38 mm) is shown in Table 3.

The axial-load capacity of the composite panel must be a function of the capacity of the steel studs only. The transverse load capacity of the composite panel is based on the transformed section of the composite steel stud and concrete.

Concrete protection for reinforcement must comply with the IBC.

2.4 Fabrication:

The panels may be fabricated at the jobsite or at manufacturing locations approved by Composite Building Systems, Inc., and ICC-ES.

The MetalStudCrete shear transfer connectors are fabricated at manufacturing locations approved by Composite Building Systems, Inc., and ICC-ES.

Fabrication of panels at the jobsite must be witnessed by a special inspector approved by the building official in accordance with Chapter 17 of the IBC. Alternatively, periodic special inspection is permitted in accordance with Sections 1704 and 1705 of the IBC. In either case, the special inspector must submit a final signed report to the building official, stating that the work requiring special inspection was conducted in conformance with the approved plans and specifications, and the applicable workmanship provisions of the IBC.

Offsite fabrication of panels must be by approved fabricators complying with Section 1704.2.5.2 of the 2012 IBC, and Section 1704.2.2 of the 2009 and 2006 IBC, as applicable.

2.5 Installation:

The panels are installed in accordance with the approved design drawings and specifications.

2.6 Identification:

2.6.1 The steel studs are identified in accordance with their respective evaluation reports. When the MetalStudCrete connector is delivered to the jobsite for field fabrication of the panels, the strip bears a stamp identifying the product as MetalStudCrete, and the manufacturer as Composite Building Systems, Inc. The stamp also includes the evaluation report number (ESR-2511).

2.6.2 The report holder’s contact information is the following:

COMPOSITE BUILDING SYSTEMS, INC.
938 SOUTH ORANGE GROVE BOULEVARD, UNIT A
PASADENA, CALIFORNIA 91105
(818) 606-4703
www.metalcrete.com

3.0 EVIDENCE SUBMITTED

Reports of structural load tests; calculations; and literature.

4.0 FINDINGS

The MetalStudCrete® (MSC) Shear Transfer Strip connector described in this report complies with the codes listed in Section 1.0, subject to the following conditions:

- 4.1** Calculations and plans for the composite panels are submitted to the building official for approval. Calculations must be signed by a registered design professional when required by the statutes of the jurisdiction in which the panels are installed.
- 4.2** Composite panels are installed in accordance with the approved design drawings and specifications.
- 4.3** Composite panels are fabricated in accordance with Section 2.4 of this evaluation report.

This report is subject to re-examination in one year.

TABLE 1—ALLOWABLE SHEAR FLOW FOR THE CONNECTION BETWEEN THE MetalStudCrete CONNECTOR AND THE LIGHT-GAGE METAL STUD

SCREW SIZE	METAL STUD		CAPACITY PER SCREW (pounds)	ALLOWABLE SHEAR FLOW, q (plf) ¹			
	Yield Strength, F _y (ksi)	Thickness (inch)		12 inches o.c.	8 inches o.c.	6 inches o.c.	4 inches o.c.
Self-drilling, self-tapping sheet metal screw (0.164-inch shank diameter)	33	0.0283	121	121	182	242	363
	33	0.0346	164	164	246	328	492
	33	0.0451	244	244	366	488	732
	50	0.0566	300	300	450	600	900
	50	0.0713	300	300	450	600	900
	50	0.1017	300	300	450	600	900
Self-drilling, self-tapping sheet metal screw (0.190-inch shank diameter)	33	0.0283	131	131	197	262	393
	33	0.0346	177	177	266	354	531
	33	0.0451	263	263	395	526	789
	50	0.0566	347	347	521	694	1,041
	50	0.0713	347	347	521	694	1,041
	50	0.1017	347	347	521	694	1,041

For **SI**: 1 inch = 25.4 mm, 1 pound/foot = 14.6 N/m, 1 ksi = 6.89 MPa, 1 pound = 4.45 N.

¹The design professional must also check the No. 18 gage strip member strength.

TABLE 2—ALLOWABLE SHEAR FLOW CAPACITY FOR THE CONNECTION BETWEEN THE MetalStudCrete CONNECTOR AND THE CONCRETE PANEL

CONCRETE COMPRESSIVE STRENGTH, f'_c (psi)	ALLOWABLE SHEAR FLOW, q (plf)
2,500	620
3,000	680
3,500	735
4,000	785
4,500	830
5,000	875
5,500	920
6,000	960
6,500	1,000
7,000	1,040
8,000	1,110
9,000	1,175
10,000	1,240

For SI: 1 psi = 6.89 kPa, 1 pound/foot = 14.6 N/m.

TABLE 3—ALLOWABLE PULL-OUT CAPACITY OF THE MetalStudCrete CONNECTOR FROM THE CONCRETE PANEL

CONCRETE COMPRESSIVE STRENGTH, f'_c (psi)	ALLOWABLE PULL-OUT CAPACITY (plf)
2,500	150
3,000	165
3,500	185
4,000	200
4,500	220

For SI: 1 psi = 6.89 kPa, 1 pound/foot = 14.6 N/m.

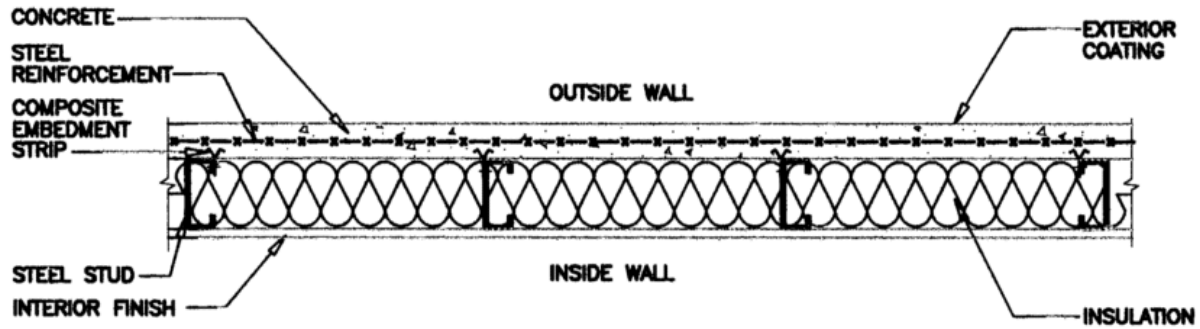


FIGURE 1—PLAN VIEW OF A TYPICAL MetalStudCrete WALL SYSTEM

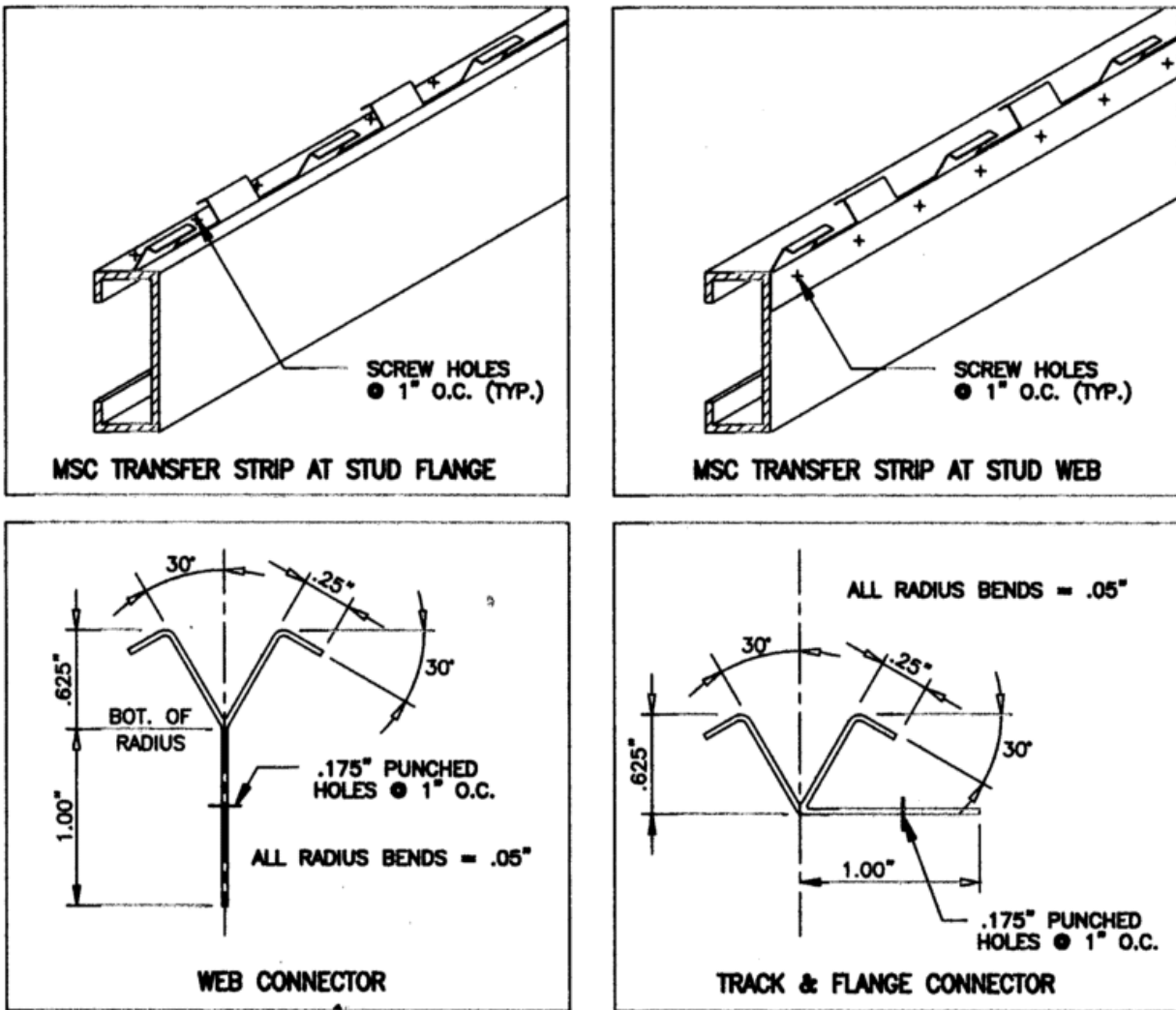


FIGURE 2—MetalStudCrete CONNECTOR